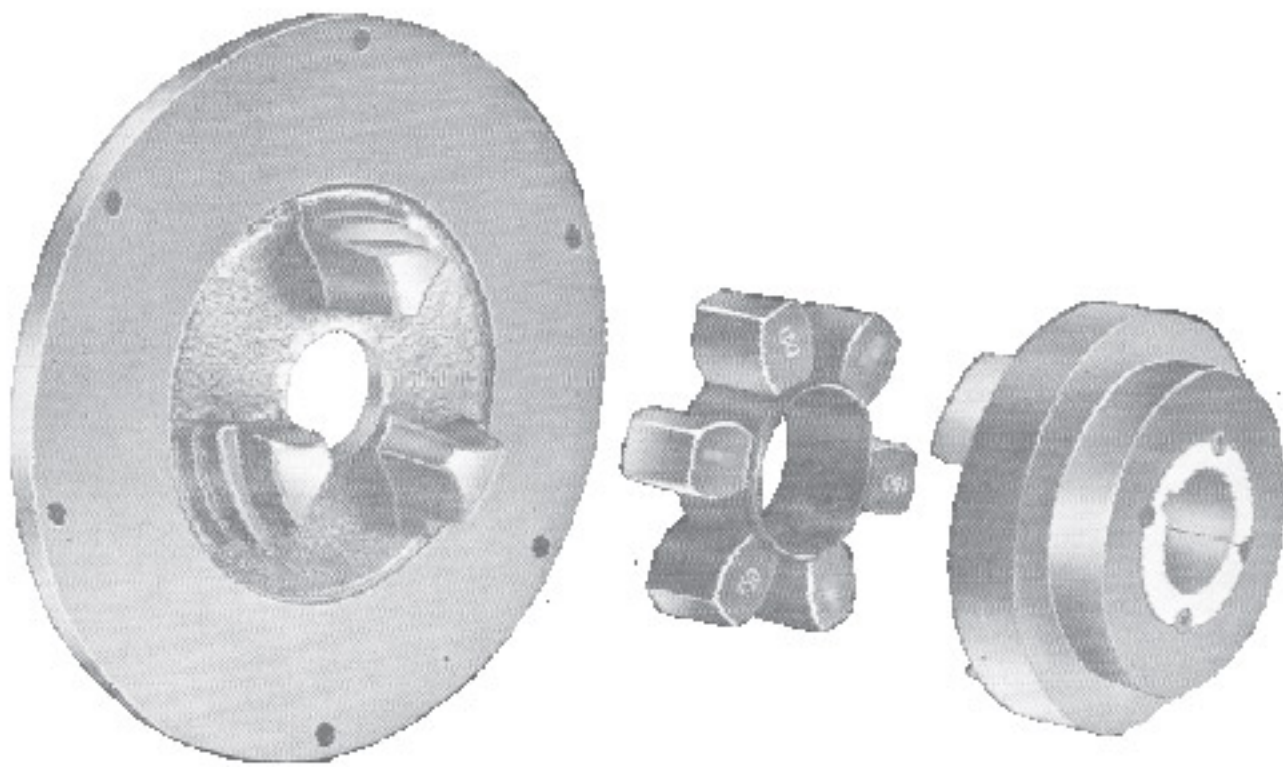
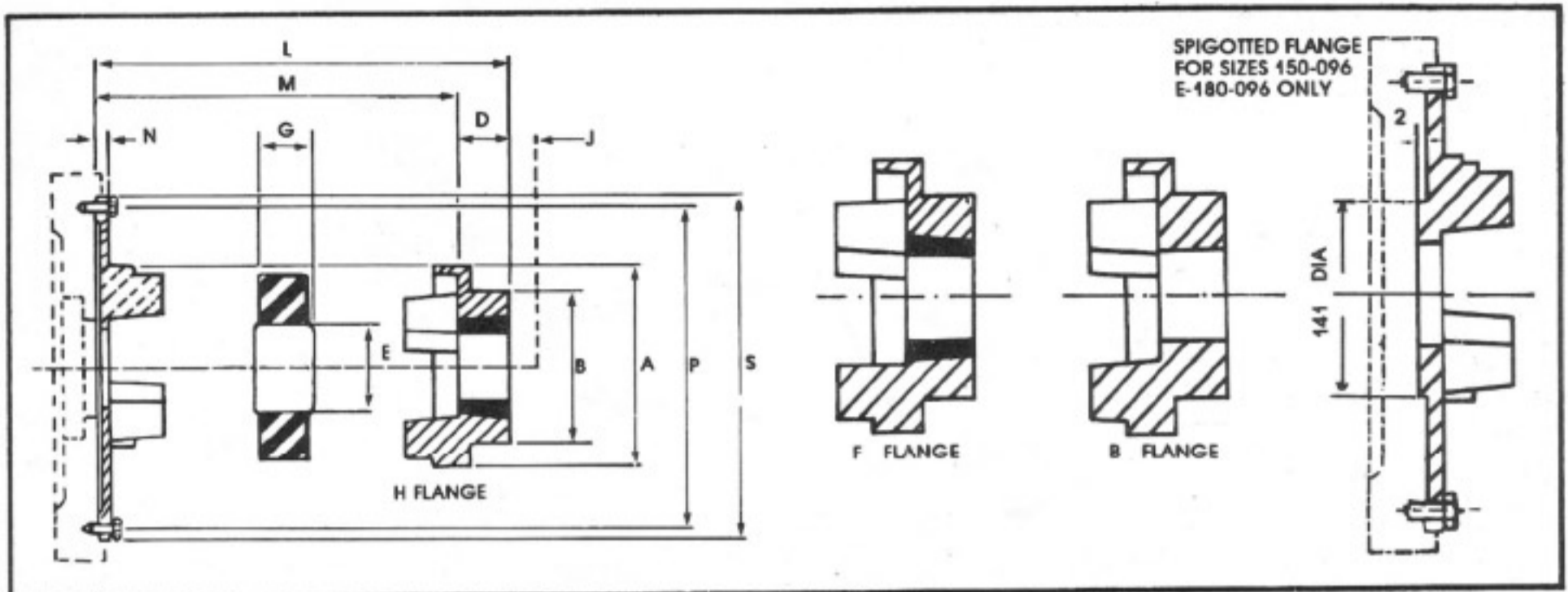


## XRC FLYWHEEL COUPLING



## 21C... XRC Flywheel Coupling



Driving Flange					Driven Flange																	
Size	Bolts		S	L	Total Mass Kg.	Total Inertia Kgm <sup>2</sup>	Type 'F' H			A	B	E	G	J	Type 'B'							
	P.C.D mm.	inch					No.	Size	Bush No.						Max Bore	D	Max Bore	D				
150-096	246	-	6	M10	265	85.5	112	51.5	14	9.629	0.055	150	2012	50	34	150	115	62	40	44	70	60.5
150-126	320	12 <sup>5</sup> / <sub>8</sub> "	8	<sup>3</sup> / <sub>8</sub> " B.S.F.	352	85.5	112	51.5	14	13.607	0.157	150	2012	50	34	150	115	62	40	44	70	60.5
150-131	333	13 <sup>1</sup> / <sub>8</sub> "	8	<sup>3</sup> / <sub>8</sub> " U.N.F.	352	85.5	112	51.5	14	13.607	0.157	150	2012	50	34	150	115	62	40	44	70	60.5
180-096	246	-	6	M10	265	108	131.5	61	14	13.128	0.078	180	2517	60	47	180	125	77	49	48	80	70.5
180-131	333	13 <sup>1</sup> / <sub>8</sub> "	8	<sup>3</sup> / <sub>8</sub> " U.N.F.	352	108	131.5	61	14	17.788	0.191	180	2517	60	47	180	125	77	49	48	80	70.5
180-150	381	15"	12	<sup>5</sup> / <sub>16</sub> " B.S.F.	400	108	131.5	61	14	19.448	0.249	180	2517	60	47	180	125	77	49	48	80	70.5
230-172	438	17 <sup>1</sup> / <sub>4</sub> "	8	<sup>1</sup> / <sub>2</sub> " U.N.C.	466	127.5	165	74.5	14	30.622	0.500	230	3020	75	53	225	155	99	59.5	55	100	90.5

### PHYSICAL CHARACTERISTICS

Characteristic	Coupling Size			
	150	180	230	280
Normal Torque Nm.	450	800	1600	3150
Max Torque Nm.	1020	1800	3600	7200
Maximum Parallel Misalignment mm	0.4	0.4	0.5	0.5
Maximum axial Misalignment mm	0.9	1.1	1.3	1.7
Rated Power (kw) at 100 rpm	4.71	8.38	16.8	33.0

### APPLICATION CHART FOR XRC PLUG-IN FLYWHEEL COUPLINGS.

COUPLING SIZE	ENGINE	
	MAKE	MODEL
150 - 096	KIRLOSKAR	RA2, RA3, RA4, RA6 RB22, RB33, RB44 RBV2, RBV3, RBV4 RDA2, RDA3, RDA4.
150 - 126	PERKINS	P4 (1), P6 (1).
150 - 131	RUSTON	2YDA, 3YDA.
180 - 096	KIRLOSKAR	RB66, RBV6, RDA6.
180 - 131	RUSTON	4YDA, 6YDA.
180 - 150	LEYLAND	ALU370, ALU400, ALU411.
230 - 172	LEYLAND	ALU 680
	KIRLOSKAR CUMMINS	N-743-G, NTC-495-G NT-180-G, NH-220 NHC-4-G.