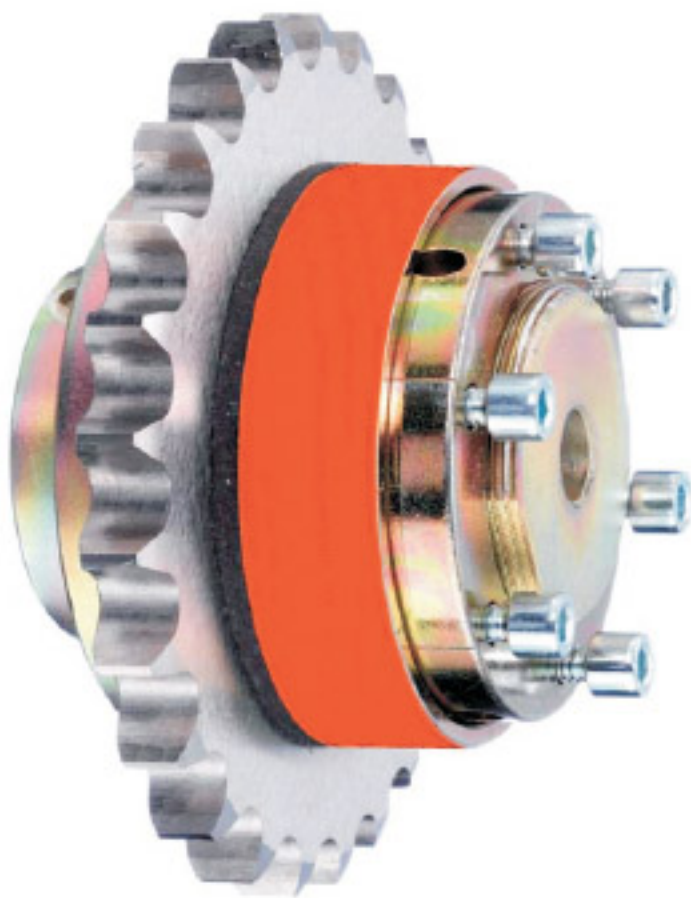
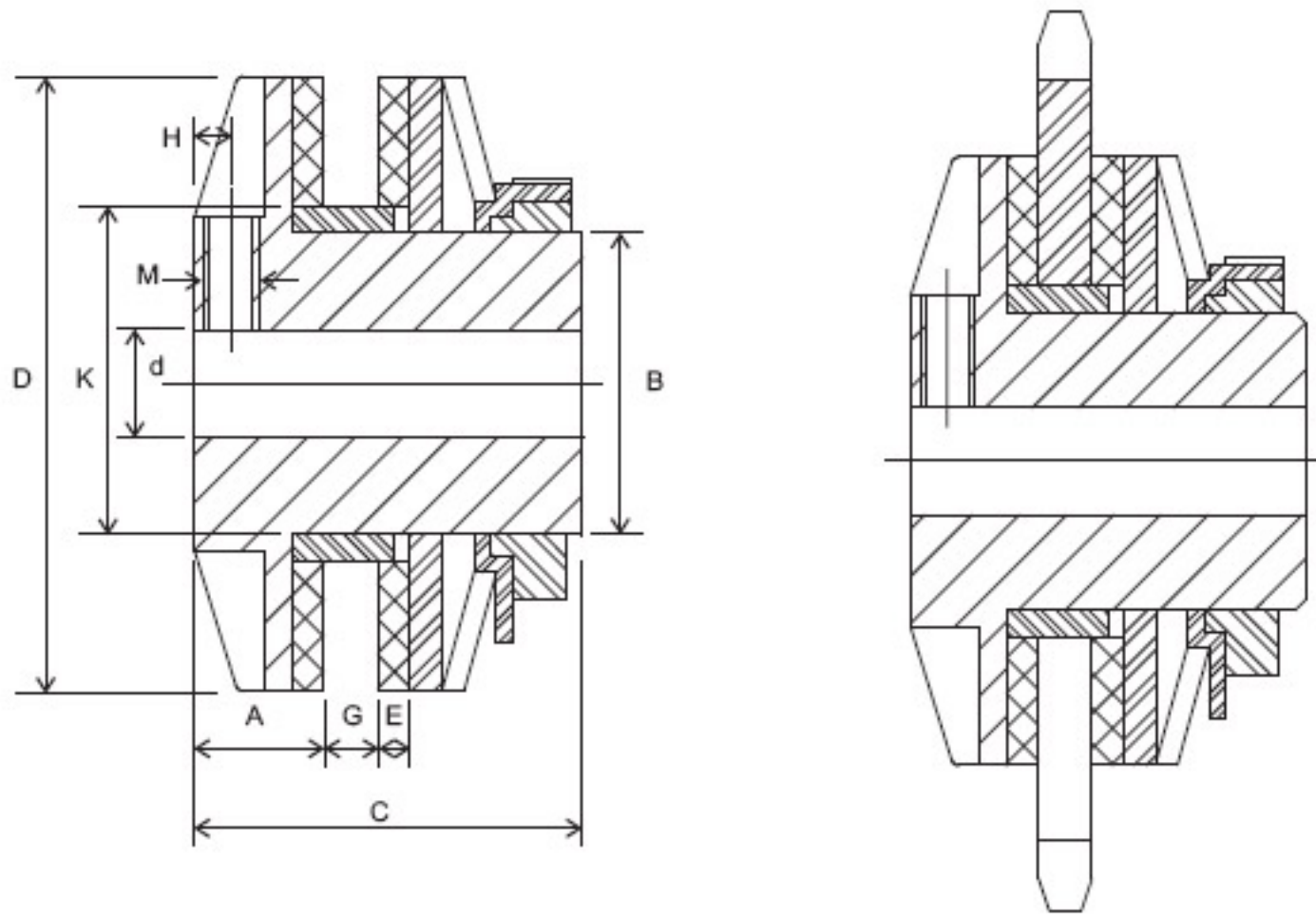


TORQUE LIMITER



3S... Torque Limiter

Type 'A'

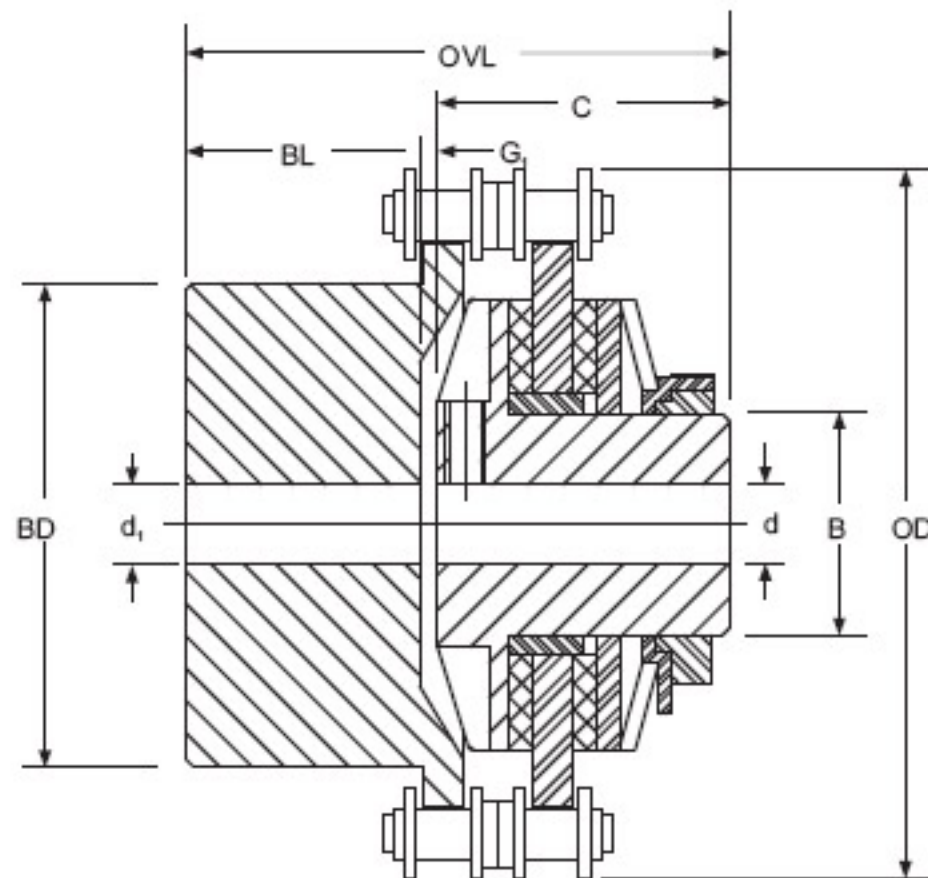


MODEL	TORQUE Nm		Bore		D	C	B	A	K	G	Wt. Kg
	Min	Max	Min	Max							
50-M1	2.9	14.7	8.0	16.0	50.0	29.0	24.0	6.0	30.0	7.2	0.30
50-M2	5.9	24.5	8.0	16.0	50.0	29.0	24.0	6.0	30.0	7.2	0.33
65-M1	6.9	27.5	9.6	22.0	65.0	50.0	35.0	15.0	41.4	8.8	0.40
65-M2	13.7	54.0	9.6	22.0	65.0	50.0	35.0	15.0	41.4	8.8	0.40
90-M1	19.6	68.7	12.7	28.0	90.0	65.0	45.0	18.0	52.0	16.0	1.12
90-M2	34.3	137.3	12.7	28.0	90.0	65.0	45.0	18.0	52.0	16.0	1.12
125-M1	49.1	176.6	19.0	38.0	125.0	78.0	60.0	23.0	70.0	16.0	3.00
125-M2	63.8	353.2	19.0	38.0	125.0	78.0	60.0	23.0	70.0	16.0	3.00
150-M1	73.6	431.6	25.0	42.0	150.0	90.0	70.0	27.0	80.0	23.0	4.20
150-M2	88.3	824.0	25.0	42.0	150.0	90.0	70.0	27.0	80.0	23.0	4.20
180-M1	107.9	569.0	25.0	64.0	180.0	105.0	105.0	27.0	110.0	28.5	6.82
180-M2	196.2	1079.1	25.0	64.0	180.0	105.0	105.0	27.0	110.0	28.5	6.82
225-M1	215.8	1373.4	30.0	92.0	230.0	120.0	120.0	33.0	152.0	28.5	12.70
225-M2	392.4	1716.8	30.0	92.0	230.0	120.0	120.0	33.0	152.0	28.5	12.70

All dimensions are in mm unless otherwise specified, In view of our constant endeavor to improve the quality of our products, we reserve the right to alter or change specifications without prior notice.

3S... Torque Limiter

Type 'B'



MODEL	Torque Nm		Bore			C	B	OD	BD	BL	G1	Wt. Kg
	Min	Max	Min	dMax	d ₁ Max							
50-M1	2.9	14.7	8.0	16.0	32	29.0	24.0	77	50	24	2	1.00
50-M2	5.9	24.5	8.0	16.0	32	29.0	24.0	77	50	24	2	1.00
65-M1	6.9	27.5	9.6	22.0	50	50.0	35.0	102	76	25	3	2.00
65-M2	13.7	54.0	9.6	22.0	50	50.0	35.0	102	76	25	3	2.00
90-M1	19.6	68.7	12.7	28.0	70	65.0	45.0	137	106	40	3	6.50
90-M2	34.3	137.3	12.7	28.0	70	65.0	45.0	137	106	40	3	6.50
125-M1	49.1	176.6	19.0	38.0	100	78.0	60.0	188	150	45	3	13.00
125-M2	63.8	353.2	19.0	38.0	100	78.0	60.0	188	150	45	3	13.00
150-M1	73.6	431.6	25.0	42.0	120	90.0	70.0	206	180	50	3	21.00
150-M2	88.3	824.0	25.0	42.0	120	90.0	70.0	206	180	50	3	21.00
180-M1	107.9	569.0	25.0	64.0	130	105.0	105.0	232	200	65	3	34.00
180-M2	196.2	1079.1	25.0	64.0	130	105.0	105.0	232	200	65	3	34.00
225-M1	215.8	1373.4	30.0	92.0	160	120.0	120.0	308	244	92	3	65.00
225-M2	392.4	1716.8	30.0	92.0	160	120.0	120.0	308	244	92	3	65.00