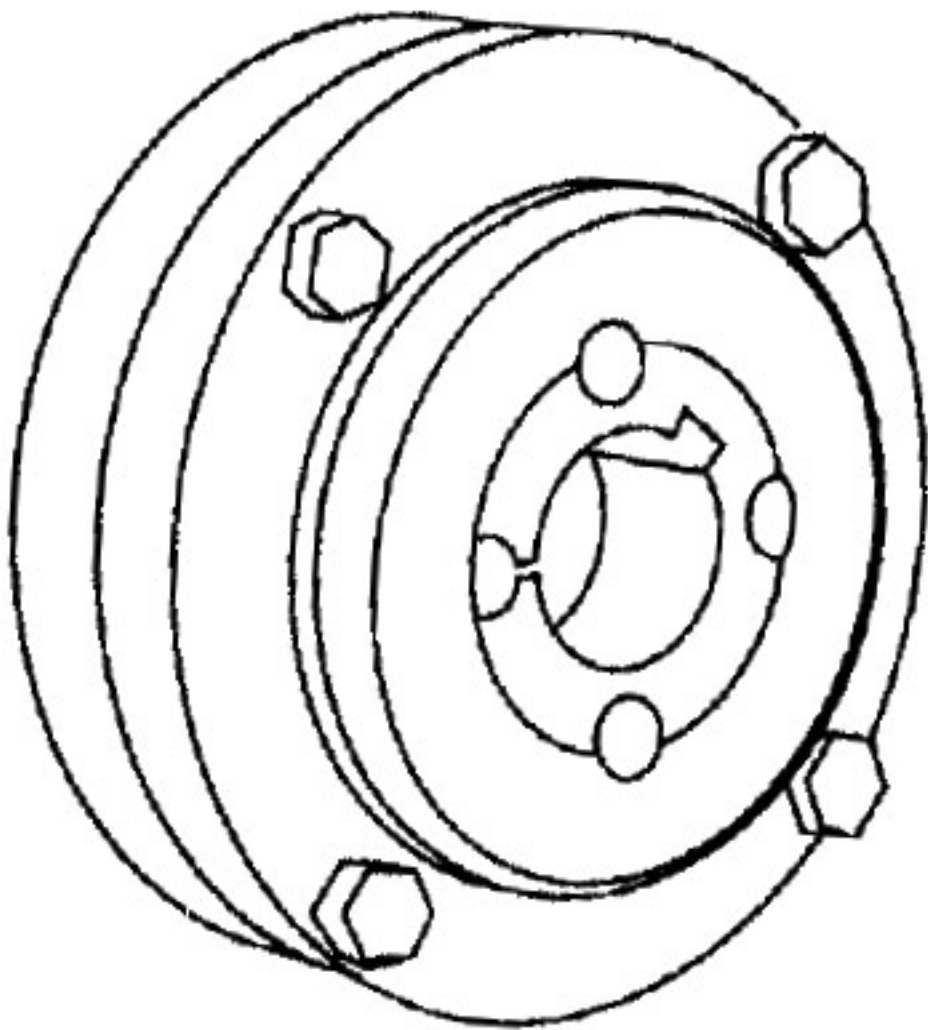
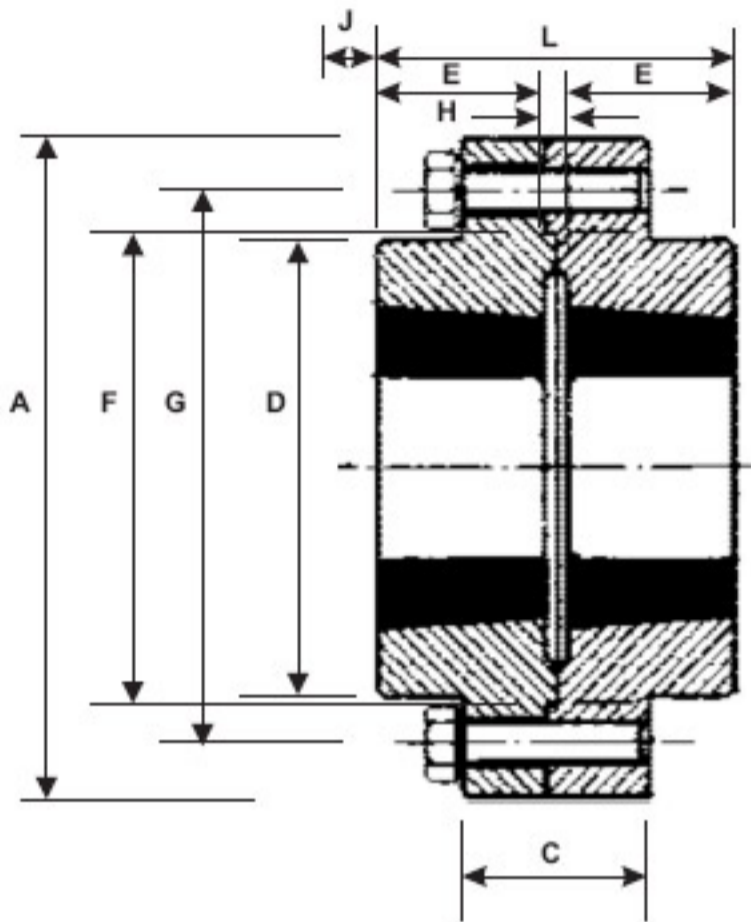


RIGID TAPER BUSH COUPLING

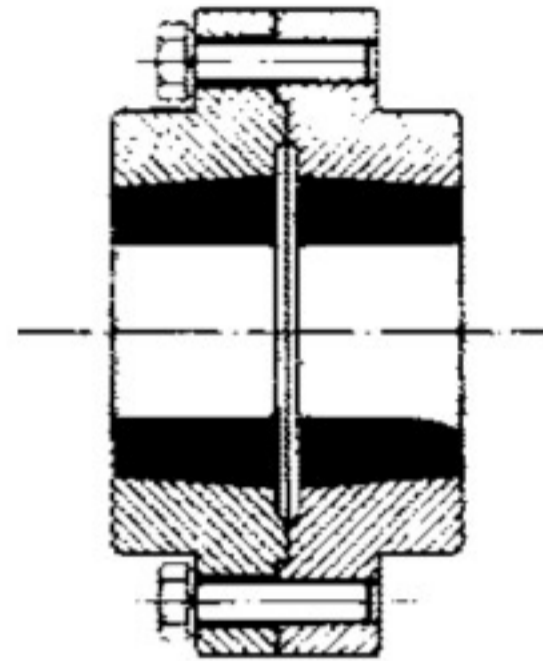


20C

20C... Rigid Taper Bush Coupling



Coupling Assembly HF



Coupling Assembly FF

DIMENSIONS

| Model | Bush No. | Max. Bore | | A | C | D | E | F nominal | G nominal | H† | J* | L | Mass‡ (kg) |
|-------|----------|-----------|--------|-----|----|-----|-----|-----------|-----------|----|----|-----|------------|
| | | Metric | Inch | | | | | | | | | | |
| R12 | 1210 | 32 | 1 1/4" | 118 | 35 | 83 | 25 | 76 | 102 | 7 | 38 | 57 | 3.5 |
| R16 | 1610 | 42 | 1 5/8" | 127 | 43 | 80 | 25 | 89 | 105 | 7 | 38 | 57 | 4.0 |
| R25 | 2517 | 60 | 2 1/2" | 178 | 51 | 123 | 45 | 127 | 149 | 7 | 48 | 97 | 11.0 |
| R30 | 3020 | 75 | 3" | 216 | 65 | 146 | 51 | 152 | 181 | 7 | 54 | 109 | 20.0 |
| R35 | 3525 | 100 | 4" | 248 | 75 | 178 | 65 | 178 | 213 | 7 | 67 | 137 | 34.0 |
| R40 | 4030 | 110 | 4 1/2" | 298 | 76 | 210 | 76 | 216 | 257 | 7 | 79 | 159 | 59.0 |
| R45 | 4535 | 125 | 5" | 330 | 86 | 230 | 89 | 241 | 286 | 7 | 89 | 185 | 80.0 |
| R50 | 5040 | 125 | 5" | 362 | 92 | 266 | 102 | 267 | 314 | 7 | 92 | 211 | 135.0 |

All dimensions in millimetres unless otherwise stated.

* J is the wrench clearance to allow for tightening and loosening the bushing on the shaft. The use of a shortened wrench will permit this dimension to be reduced.

† H is the distance between shaft ends.

‡ Masses given are for couplings with mid-range bore Taper Bushes.