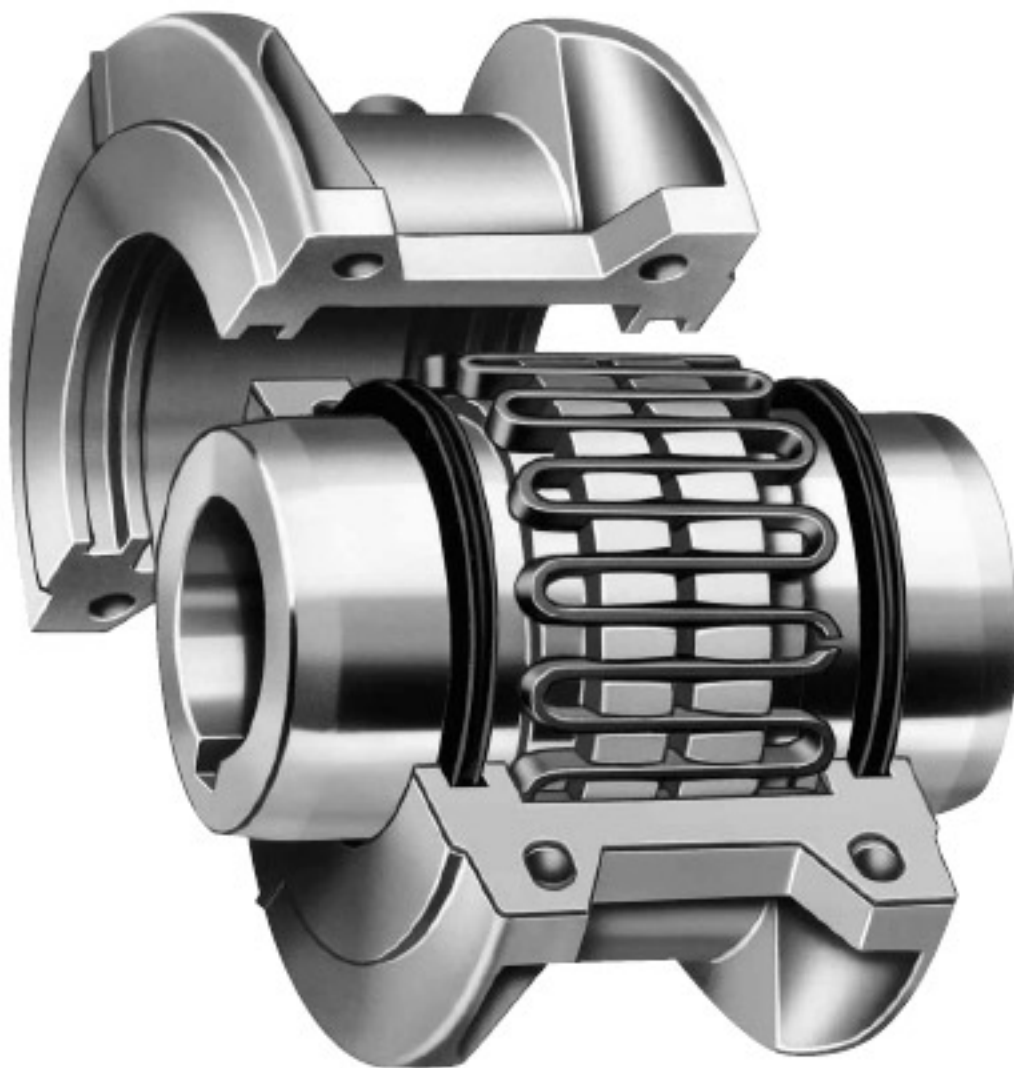
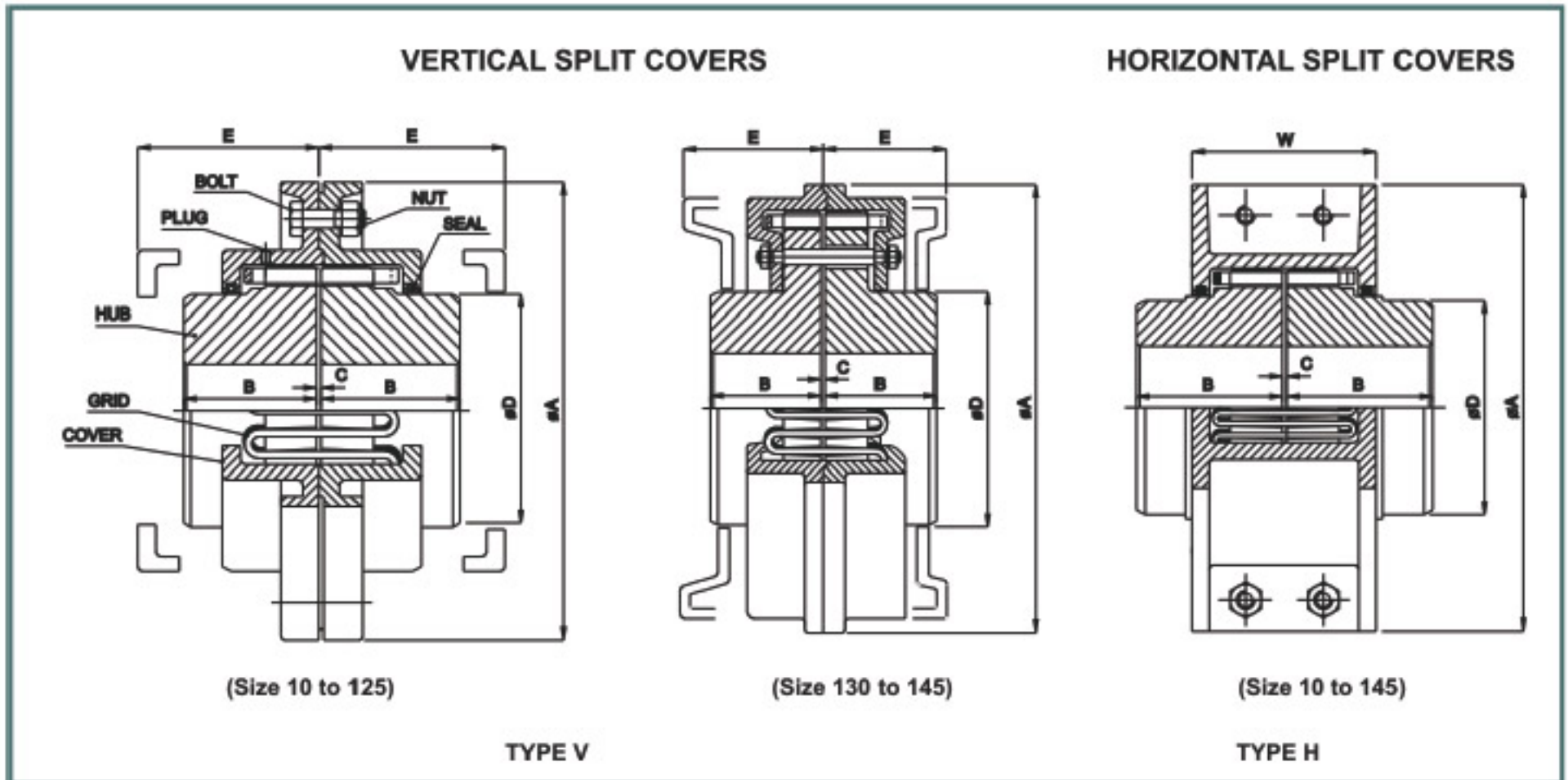


RESILENT GRID COUPLING

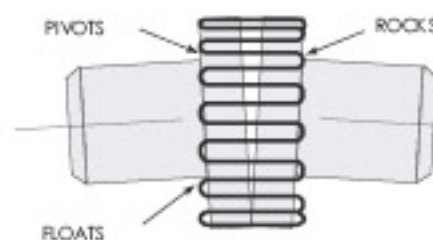
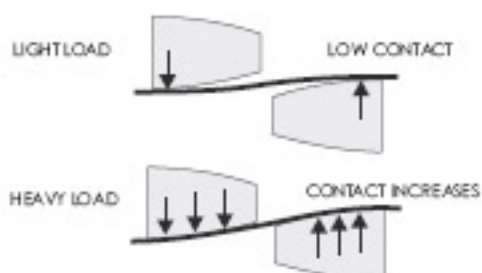


7C

7C... Resilient Grid Coupling



Model	Kw @ 100rpm	Max. Speed rpm		Bore (mm)		A		B	C	D	E	W	Weight (Kg)	
		V	H	Pilot	Max.	V	H						V	H
05	0.5	5800	3600	10	29	105	104	38	0.8	45	53	57	3	3
1	0.7	5000	3350	12	38	120	120	38	0.8	58	53	65	4	4
2	1.6	4500	3350	16	42	144	127	45	0.8	62	60	65	5	5
3	2.3	3500	2600	16	58	172	159	51	0.8	87	60	66	9	8
4	3.6	3300	2400	16	58	190	178	51	0.8	85	80	85	11	13
5	5.1	3100	2200	16	65	197	190	57	0.8	100	80	85	16	17
6	7.4	2600	1900	25	80	222	222	64	0.8	120	80	87	20	19
7	9.9	2300	1700	25	95	254	245	70	0.8	143	81	87	27	27
8	14.5	2000	1600	25	110	276	267	89	0.8	165	81	87	43	39
9	27.8	1900	1500	38	104	295	276	102	1.6	155	129	138	54	47
10	35.6	1800	1300	50	124	324	324	102	1.6	187	148	157	63	67
11	51.3	1600	1300	50	124	336	336	102	1.6	184	148	157	72	74
12	70.9	1400	1100	50	148	375	381	114	1.6	222	148	159	104	108
13	98.3	1200	1000	50	170	425	425	127	1.6	254	148	160	149	149
14	188.0	1200	800	75	*157	432	501	140	3.2	239	180	180	180	234
15	274.1	1100	700	85	*173	492	552	153	3.2	267	180	180	216	318
16	434.7	1200	-	110	191	687	-	178	3.2	349	210	-	408	-
17	591.4	1050	-	135	216	781	-	203	3.2	432	210	-	545	-
18	826.4	900	-	145	242	876	-	228	6.35	482	249	-	875	-
19	1374.7	800	-	155	267	1015	-	228	6.35	622	286	-	1570	-



Equipment Protection Against Shaft Misalignment

The grid is free to rock, pivot and float within the hub teeth. Generous misalignment capacity is provided without producing detrimental bearing side loads created by other couplings.

All dimensions are in mm unless otherwise specified. In view of our constant endeavor to improve the quality of our products, we reserve the right to alter or change specifications without prior notice.