

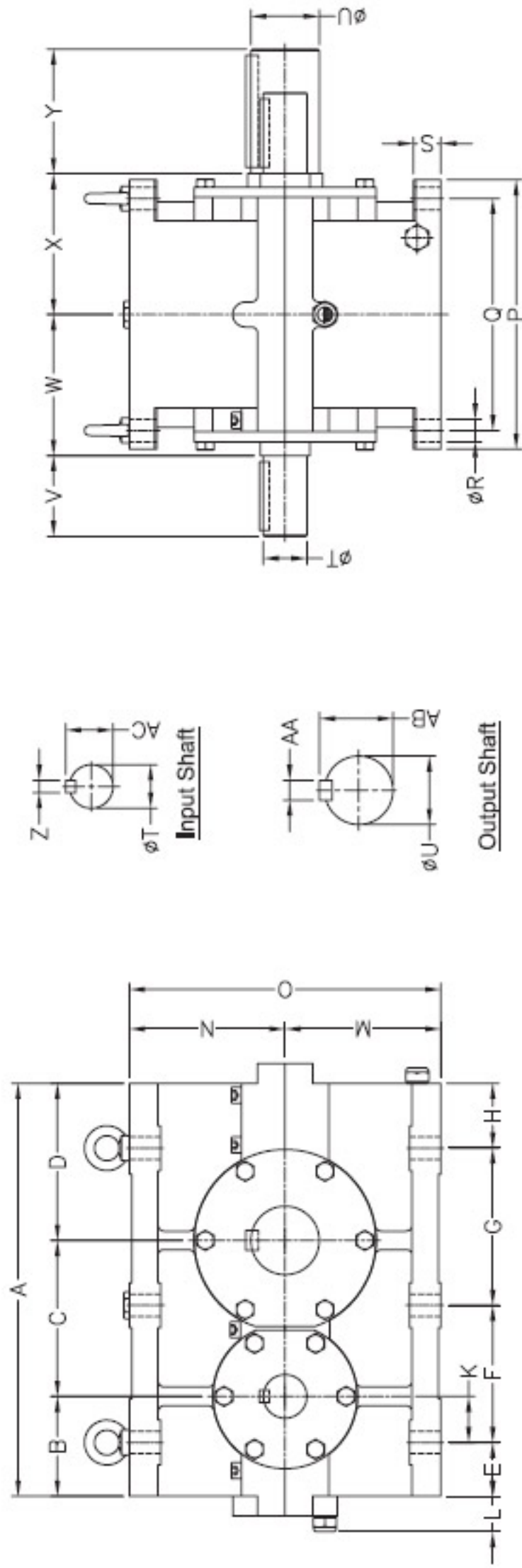
PARALLEL SHAFT GEAR REDUCER



3G

3G... Parallel Shaft Gear Reducer

Parallel Helical Gearbox with Single Stage

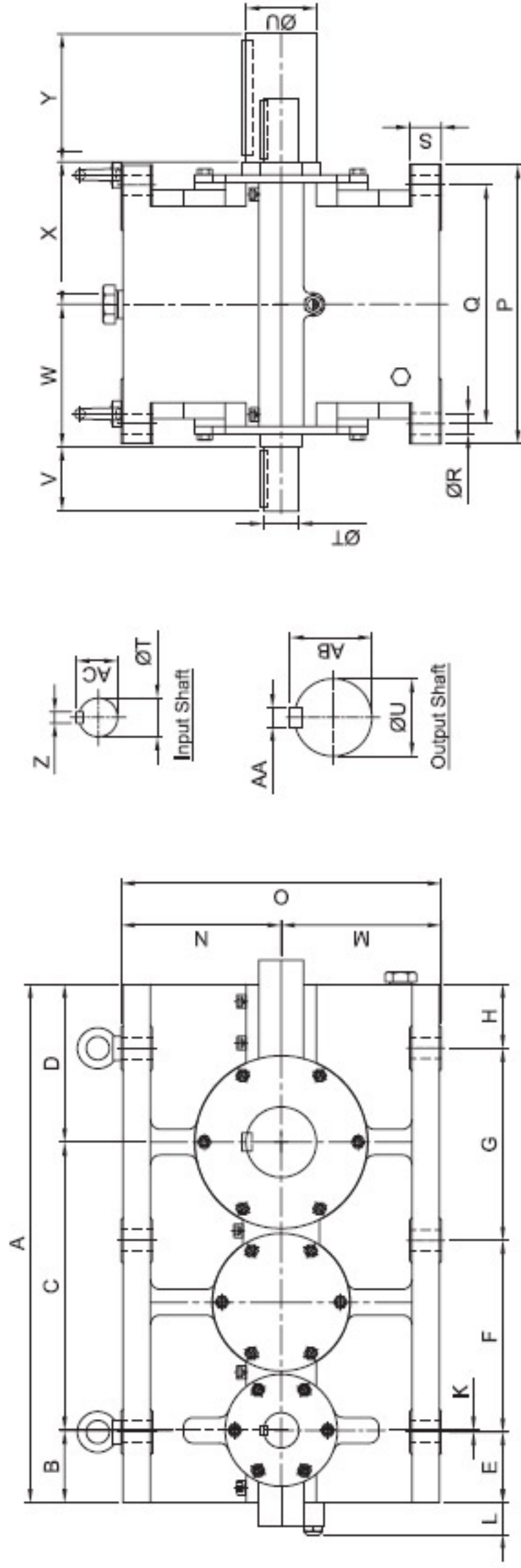


MODEL	A	B	C	D	E	F	G	H	K	L	M	N	O	P	Q	ØR	S	ØT	ØU	V	W	X	Y	Z	AA	AB	AC
1PH 18	221	56	80	85	32	77	80	32	37	33	87	87	174	154	136	9	15	22	35	40	85	85	63	6	10	38	25
1PH 19	247	63	90	94	38	85.5	85.5	38	25	32.5	97	97	194	163	143	11	17	24	40	45	88.5	88.5	70	8	12	43	27
1PH110	275	70	100	105	40	90	105	40	30	30	100	100	200	175	150	14	20	28	45	50	91	91	80	8	14	48.5	31
1PH111	303	77	112	114	45	106.5	106.5	45	32	20	112	112	224	200	170	16	22	32	50	56	103	103	90	10	14	53.8	35.3
1PH112	331	80	125	126	43	110	126	52	37	29	125	125	250	216	186	18	22	35	55	65	111	111	100	10	16	59	38
1PH114	367	88	140	139	47	130	135	55	41	17	140	140	280	236	200	20	27	40	60	70	123	123	112	12	18	64.4	43.3
1PH116	418	100	160	158	50	140	158	70	50	22	160	160	320	260	225	20	30	45	70	80	135	135	125	14	20	74.9	48.8
1PH118	486	116	180	190	60	160.5	185.5	80	56	25	180	180	360	290	250	22	34	50	80	90	150	150	140	14	22	85.9	54
1PH120	530	130	200	200	70	180	200	80	60	27	200	200	400	325	275	25	39	55	90	100	167.5	167.5	160	16	25	95.4	59
1PH122	585	135	225	225	80	200	215.5	90	55	27	225	225	450	370	315	27	39	60	100	112	190	190	180	18	28	106.4	64.4
1PH125	645	155	250	240	85	232.5	232.5	95	70	27	250	250	500	420	350	30	44	70	110	125	215	215	200	20	28	116.4	74.9
1PH126	740	180	280	280	112	260	256	112	68	35	280	280	560	470	400	36	55	80	125	140	240	240	225	22	32	132.4	85.9
1PH132	865	220	320	320	125	327	288	125	95	40	320	320	640	520	450	39	61	90	140	160	265	265	250	25	36	184.4	95.4
1PH136	1040	280	360	400	140	380	380	140	140	45	360	360	720	600	500	42	69	100	160	180	268	268	280	28	40	169.4	106.4
1PH140	1165	315	400	450	160	422	422	160	155	50	400	400	800	675	560	45	77	110	180	200	343	343	315	32	45	190.4	117.4

All dimensions are in mm unless otherwise specified. In view of our constant endeavor to improve the quality of our products, we reserve the right to alter or change specifications without prior notice.

3G... Parallel Shaft Gear Reducer

Parallel Helical Gearbox with Two Stage

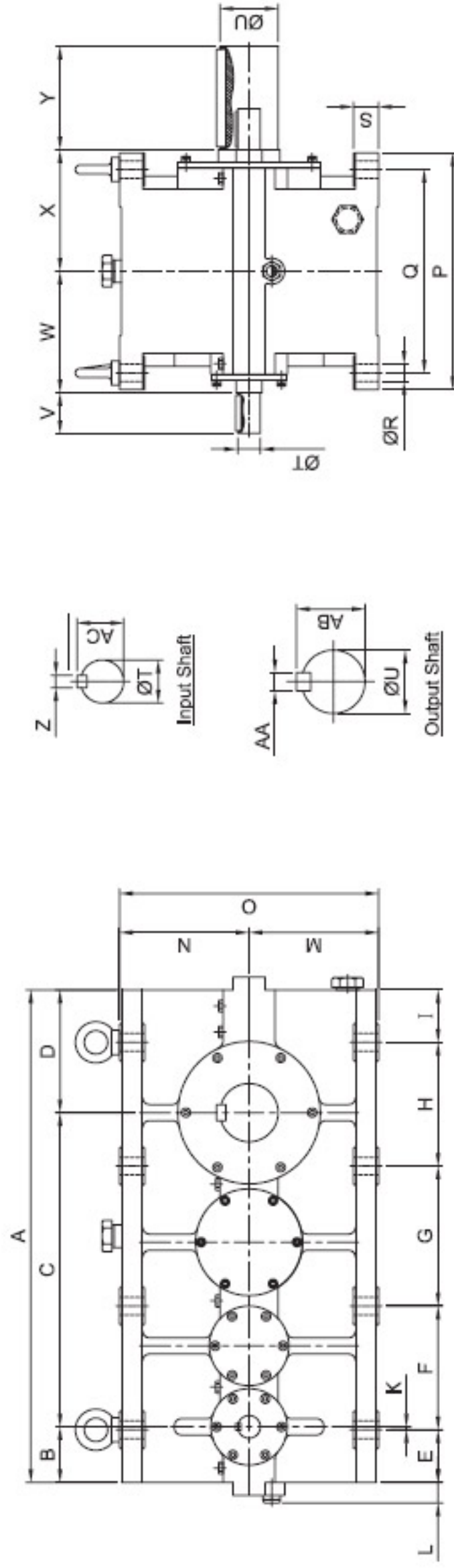


MODEL	A	B	C	D	E	F	G	H	K	L	M	N	O	P	Q	ØR	S	ØT	ØU	V	W	X	Y	Z	AA	AB	AC
2PH210	341	52	180	109	40	130	131	40	12	27	108	108	216	205	177	14	20	22	45	40	105	105	80	6	14	49	25
2PH211	373	51	202	120	45	141	142	45	6	27	112	112	224	215	187	16	22	24	50	45	107	107	90	8	14	54	27
2PH212	411	54	225	132	50	156	155	50	3	29	125	125	250	243	211	18	25	28	55	50	122	122	100	8	16	59	31
2PH214	468	70	252	146	55	179	179	55	15	29	140	140	280	270	235	20	27	32	60	56	130	130	112	10	18	64	35
2PH216	526	77	285	164	60	203	203	60	17	29	160	160	320	280	238	22	30	35	70	63	135	135	125	10	20	75	38
2PH218	575	73	320	182	70	217	217	70	3	29	180	180	360	325	277	25	34	40	80	70	156	156	140	12	22	86	43
2PH220	640	80	360	200	80	240	240	80	0	32	200	200	400	356	306	27	39	45	90	80	174	174	160	14	25	95	49
2PH222	725	97	405	223	85	280	280	80	12	32	225	225	450	370	316	30	44	50	100	90	182	182	180	14	28	106	54
2PH225	809	112	450	247	110	299	300	100	2	50	250	250	500	435	373	33	49	55	110	100	207	207	200	16	28	116	59
2PH228	900	113	505	262	120	325	325	130	7	57	280	280	560	455	390	36	55	60	125	112	233	233	225	18	32	132	64
2PH232	1047	152	570	325	150	374	373	150	1	57	320	320	640	540	450	39	61	70	140	125	275	275	250	20	36	148	74
2PH236	1265	225	640	400	140	492	492	140	2	60	360	360	720	625	645	42	68	80	160	140	318	318	280	22	40	169	85.5
2PH240	1420	250	720	450	160	550	550	160	4	65	400	400	800	680	565	45	77	90	180	160	345	345	315	25	45	190	95

All dimensions are in mm unless otherwise specified, in view of our constant endeavor to improve the quality of our products, we reserve the right to alter or change specifications without prior notice.

3G... Parallel Shaft Gear Reducer

Parallel Helical Gearbox with Three Stage



MODEL	A	B	C	D	E	F	G	H	I	K	L	M	N	O	P	Q	ØR	S	ØT	ØU	V	W	X	Y	Z	AA	AB	AC
3PH312	494	57	305	132	50	128	118	150	50	7	24	130	130	260	242	196	18	25	22	55	40	118	118	100	6	16	59	25
3PH314	534	54	342	138	55	141	141	142	55	1	24	140	140	280	277	240	20	27	24	60	45	134	134	112	8	18	64	27
3PH316	616	70	385	161	60	166	163	167	60	9	24	160	160	320	319	275	22	30	28	70	50	153	153	125	8	20	75	31
3PH318	678	71	432	175	50	193	192	193	50	21	24	180	180	360	357	306	25	34	32	80	56	170	170	140	10	22	86	35
3PH320	760	85	485	190	81	191	216	191	81	4	32	200	200	400	365	314	27	39	35	90	63	174	174	160	10	25	95	38
3PH322	840	78	545	217	90	220	220	220	90	12	32	225	225	450	405	343	30	44	40	100	70	193	193	180	12	28	106	43
3PH325	940	92	610	238	100	247	246	247	100	8	32	250	250	500	467	405	33	49	45	110	80	225	225	200	14	28	116	49
3PH328	1049	97	685	267	110	276	277	276	110	13	45	280	280	560	496	430	36	55	50	125	90	235	235	225	14	32	132	54
3PH332	1179	106	770	303	125	310	309	310	125	18	45	310	310	620	560	480	39	61	55	140	100	260	260	180	16	36	148	59
3PH336	1325	108	865	353	140	348	348	348	140	33	55	360	360	720	625	545	42	68	60	160	112	318	318	280	18	40	169	64
3PH340	1468	111	970	387	160	382	382	383	160	50	60	400	400	800	670	575	45	77	70	180	125	340	340	315	20	45	190	74

All dimensions are in mm unless otherwise specified. In view of our constant endeavor to improve the quality of our products, we reserve the right to alter or change specifications without prior notice.