

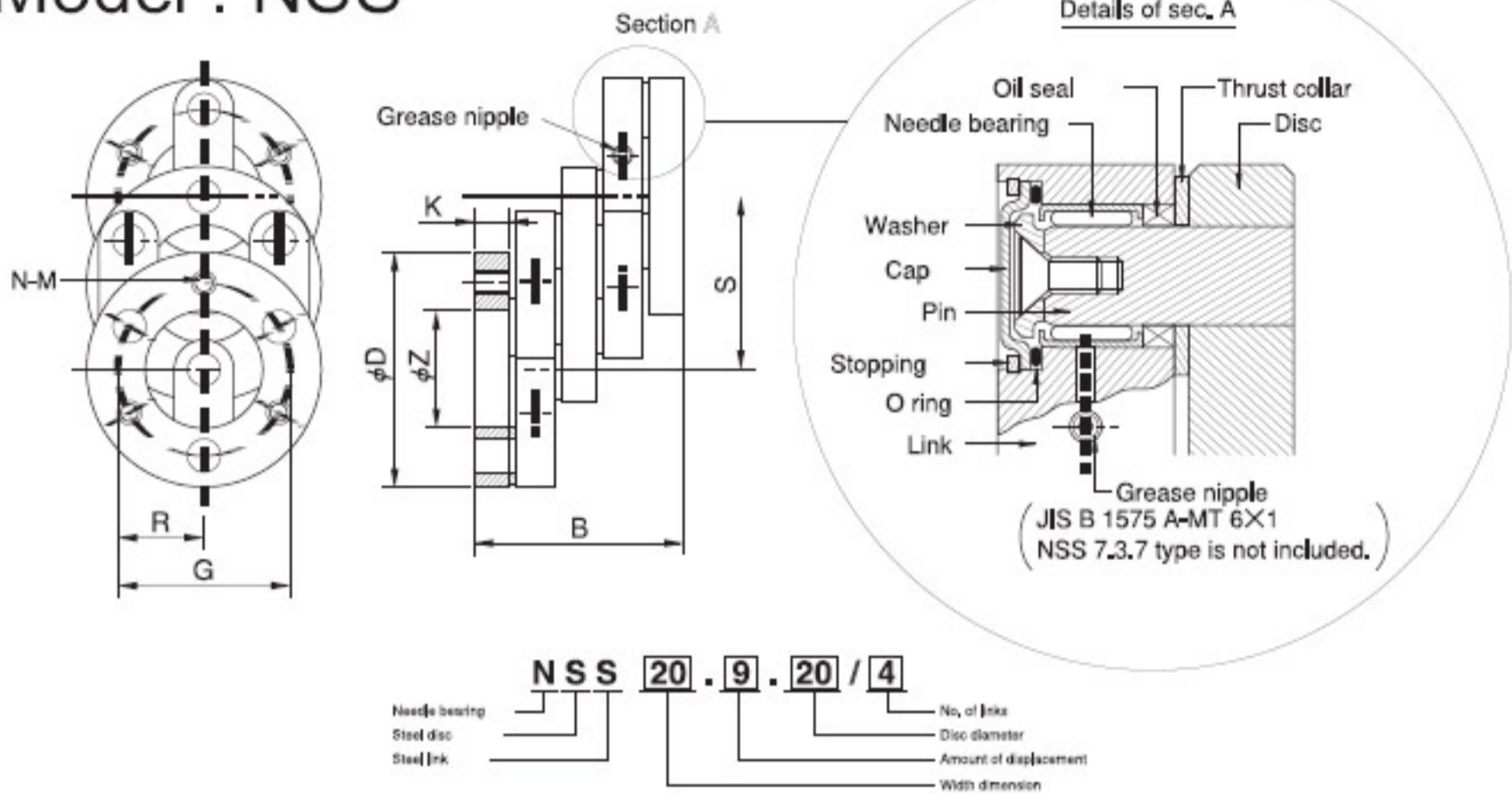
OS COUPLING



18C

18C... OS Coupling

Model : NSS



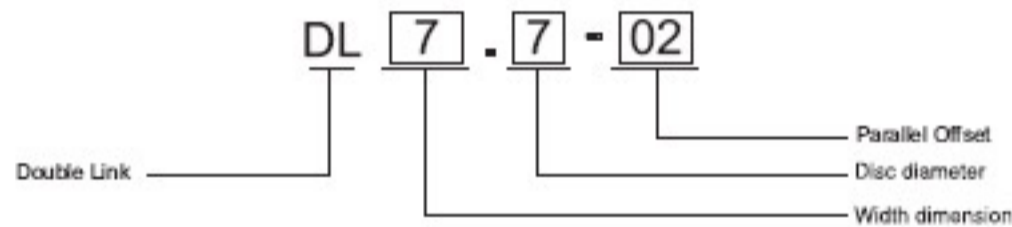
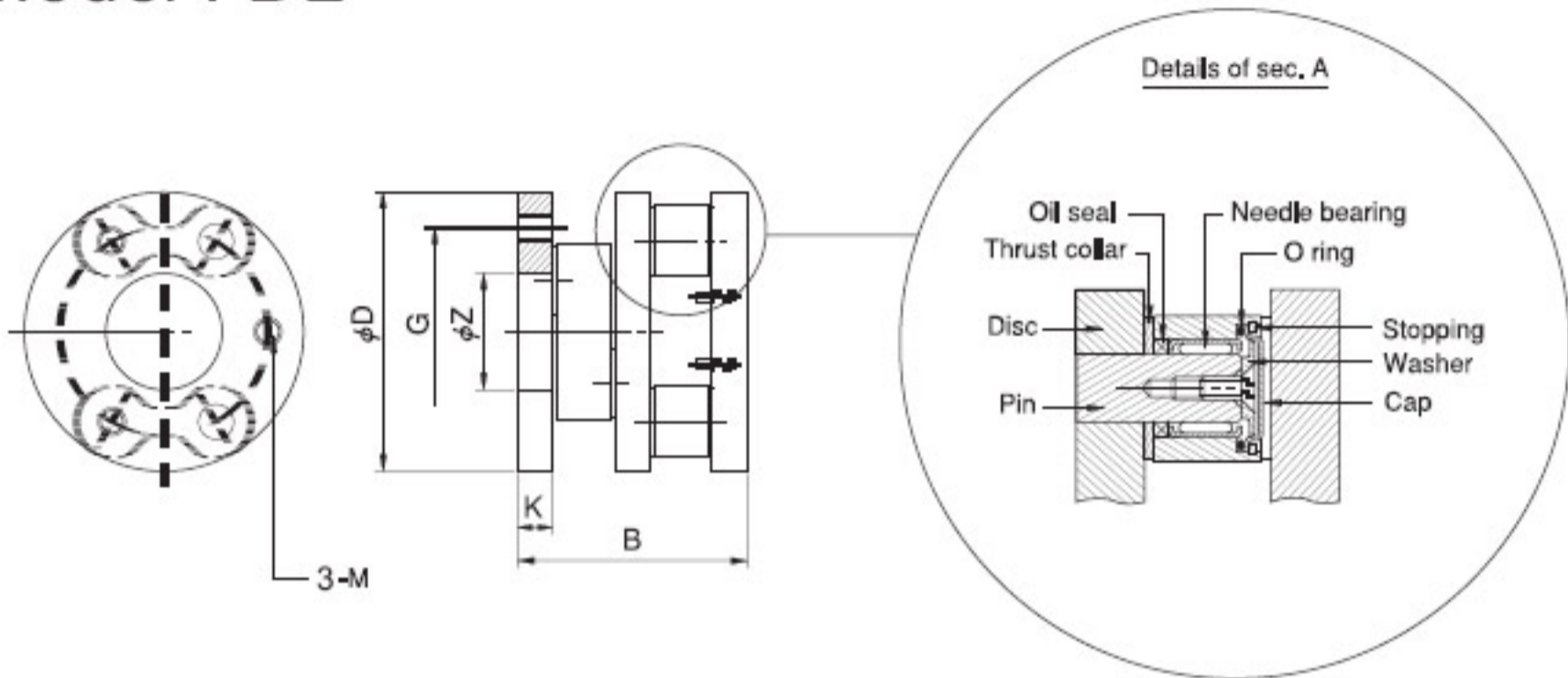
Model	D	B	S	Z (H7)	G	N	M	K
NSS 7.3.7	70	74	36	25	48	3	M10	10
NSS 7.7.9	92	74	70	45	70	3	M10	10
NSS 10.9.12	120	101	90	50	90	3	M12	15
NSS 13.9.14	140	134	90	55	100	3	M16	22
NSS 16.10.16	160	155	100	60	115	3	M16	25
NSS 20.9.20	200	196	90	80	150	3	M20	30
NSS 20.9.20/4	200	196	90	80	150	4	M20	30
NSS 20.9.23/5	230	196	90	120	180	5	M20	30
NSS 20.9.25/6	250	196	90	120	200	6	M20	30
NSS 20.9.33/8	330	196	90	210	280	8	M20	30
NSS 20.9.39/10	390	196	90	250	340	10	M20	30

Model	No. of links	Max. displacement [mm]		Starting peak torque [N·m]	Normal max. torque [N·m]	Max. rotation speed [min ⁻¹]	Basic load of bearing [N]	Pitch radius of pin [m]	Moment of inertia [kg·m ²]	Mass [kg]
		2S×0.95	Liner							
NSS 7.3.7	3×2	68	65	137	49	3000	3870	0.024	9.03×10 ⁻⁴	1.3
NSS 7.7.9	3×2	133	128	196	68	2500	3870	0.035	2.69×10 ⁻³	1.9
NSS 10.9.12	3×2	171	165	600	196	2000	8920	0.045	1.15×10 ⁻²	4.9
NSS 13.9.14	3×2	171	165	1060	350	1800	14120	0.050	2.80×10 ⁻²	10.4
NSS 16.10.16	3×2	190	183	1850	640	1500	21570	0.057	5.80×10 ⁻²	15.7
NSS 20.9.20	3×2	171	165	3470	1180	1000	30890	0.075	1.61×10 ⁻¹	27.0
NSS 20.9.20/4	4×2	171	165	4170	1370	600	30890	0.075	1.80×10 ⁻¹	30
NSS 20.9.23/5	5×2	171	165	6280	2060	500	30890	0.090	3.08×10 ⁻¹	35
NSS 20.9.25/6	6×2	171	165	8340	2750	460	30890	0.100	4.48×10 ⁻¹	43
NSS 20.9.33/8	8×2	171	165	15700	5200	300	30890	0.140	1.19	59
NSS 20.9.39/10	10×2	171	165	23500	7850	250	30890	0.170	2.25	79

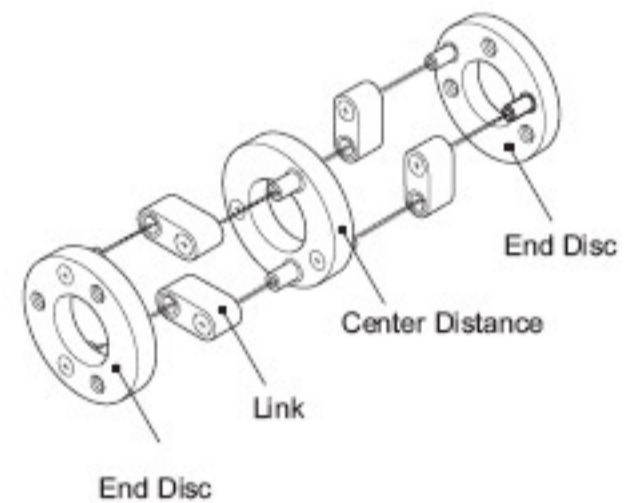
All dimensions are in mm unless otherwise specified, In view of our constant endeavor to improve the quality of our products, we reserve the right to alter or change specifications without prior notice.

18C... OS Coupling

Model : DL



Model	D	B	Z (H7)	G	M	K
DL 7.7-02	70	74	25	48	M10	10
DL 7.9-03	92	74	45	70	M10	10
DL 10.12-04	120	101	50	90	M12	15
DL 13.14-04	140	134	55	100	M16	22
DL 16.16-04	160	155	60	115	M16	25
DL 20.20-04	200	196	80	150	M20	30



Model	No. of links	Parallel offset [mm]	Transmittable torque [N·m]	Max. rotation speed [min ⁻¹]	Moment of inertia [kg·m ²]	Mass [kg]
DL 7.7-02	2X2	2	93	2000	7.75X10 ⁻⁴	1.1
DL 7.9-03	2X2	3	135	1800	2.30X10 ⁻³	1.7
DL 10.12-04	2X2	4	402	1600	9.98X10 ⁻³	4.4
DL 13.14-04	2X2	4	706	1400	2.60X10 ⁻²	9.1
DL 16.16-04	2X2	4	1230	1200	5.10X10 ⁻²	13.9
DL 20.20-04	2X2	4	2310	1000	1.44X10 ⁻¹	24.1

All dimensions are in mm unless otherwise specified, In view of our constant endeavor to improve the quality of our products, we reserve the right to alter or change specifications without prior notice.