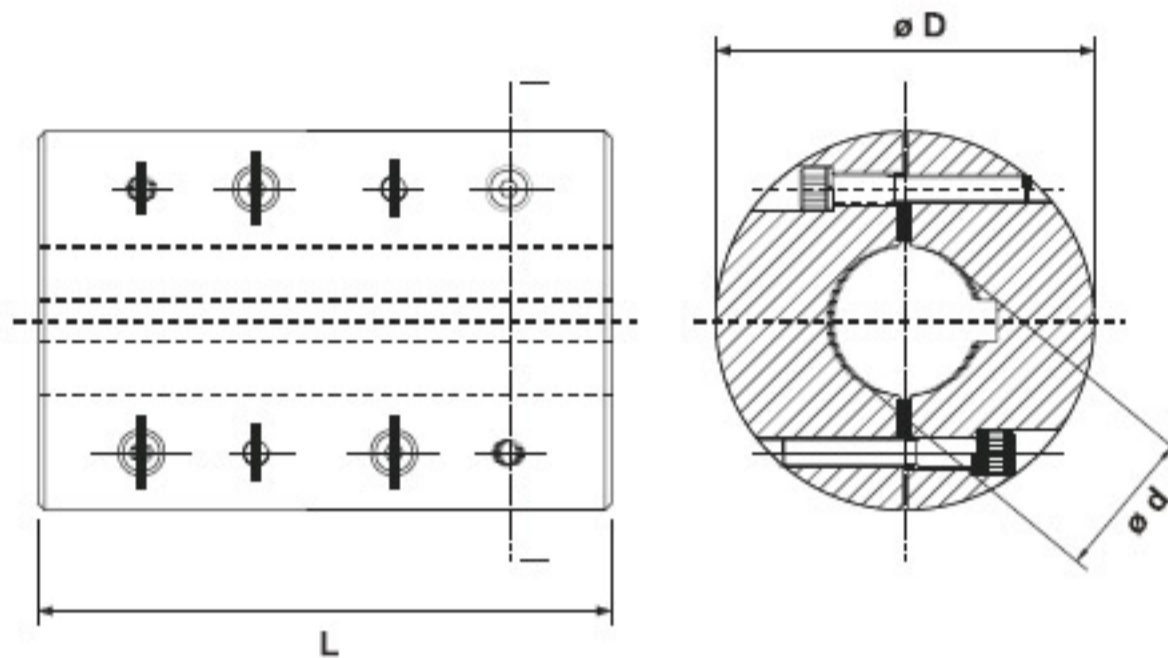


MUFF COUPLING



15C

15C... Muff Coupling



Model	MAX. BORE ϕd	TORQUE (Nm)		ALLEN HEAD SCREWS	OUTSIDE DIAMETER D	LENGTH L
		WITH KEY	WITHOUT KEYWAY			
MC 20	20	352	235	8 - M 8	60	100
MC 25	25	668	445	8 - M 10	80	130
MC 30	30	801	534	8 - M 10	80	130
MC 35	35	1126	750	8 - M 10	80	160
MC 40	40	1247	831	8 - M 10	80	160
MC 45	45	1546	1230	8 - M 10	100	190
MC 50	50	2052	1366	8 - M 10	100	190
MC 55	55	3015	2010	8 - M 10	120	220
MC 60	60	3286	2190	8 - M 10	120	220
MC 70	70	4836	3224	10 - M 12	140	250
MC 80	80	6804	4535	10 - M 12	160	280
MC 90	90	8383	5588	10 - M 16	180	310
MC 100	100	12480	8320	12 - M 16	200	350
MC 110	110	15840	10560	12 - M 16	220	390
MC 120	120	20646	13764	14 - M 16	250	430
MC 140	140	32634	21756	14 - M 20	280	490
MC 160	160	45120	30080	14 - M 24	320	560
MC 180	180	67392	44928	14 - M 24	360	630
MC 200	200	82680	55120	14 - M 27	400	700
MC 220	220	109048	72730	16 - M 30	450	770
MC 240	240	138384	92250	16 - M 30	480	840
MC 260	260	164424	109160	16 - M 36	520	910
MC 280	280	205422	136900	16 - M 42	570	980