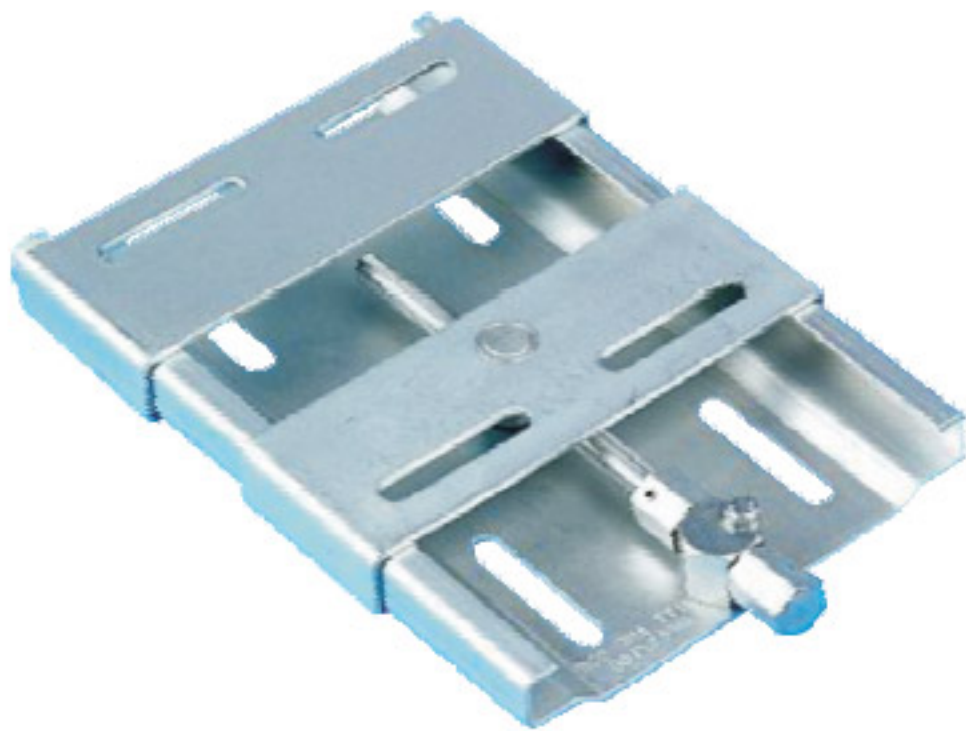
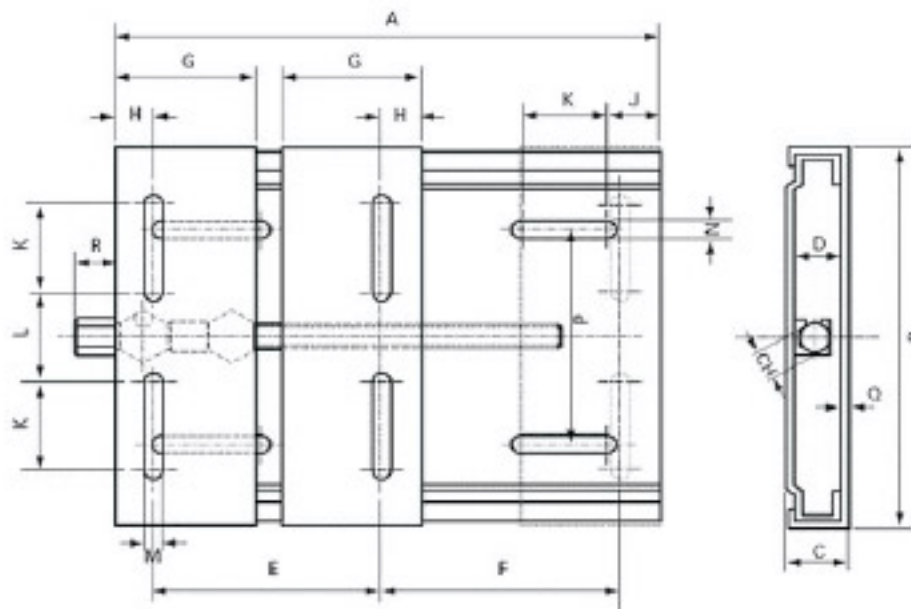


MOTOR BASE PLATE

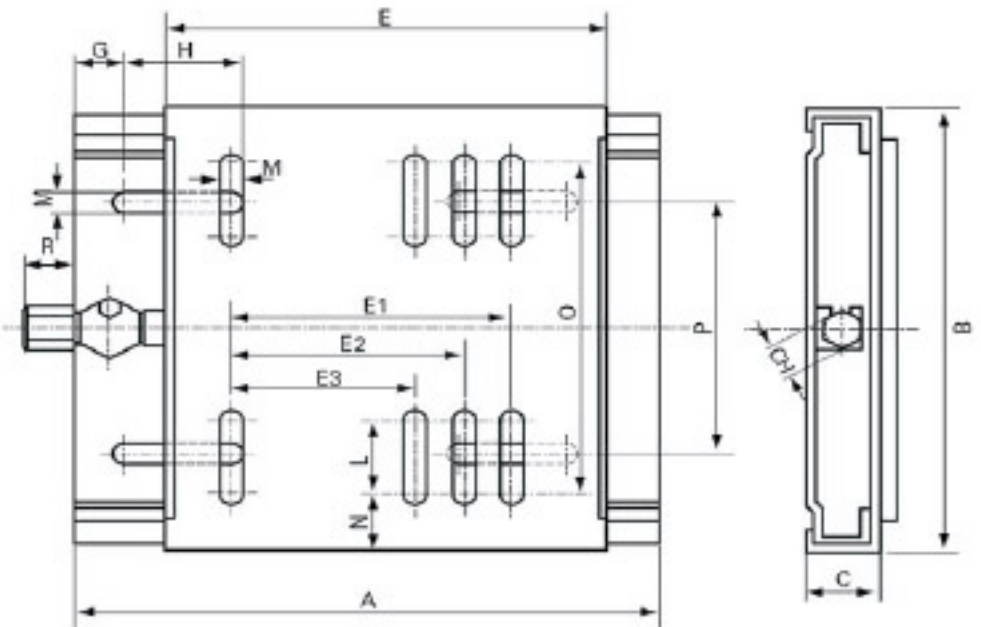


2E... Motor Base Plate

Model MB



Model MPB



Quick-Fit range

Features 5 sizes covering the motor frame sizes from 63 to 132 as shown below

Dimension and Adjustments

Model MB-	A	B	C	D	E	F	G	H	J	K	L	M	N	O	P	Q	R	Kg
63/80	210	195	33	27	100	70	70	20	25	50	43	10	10	19	98	3	30	2.3
63/100	270	195	33	27	100	130	70	20	25	50	43	10	10	19	98	3	30	2.7
90/112	307	213	33	27	100	165	70	20	29	50	62	10	10	19	108	3	30	3.5
90/132	430	290	40	32	140	240	95	27	29	62	90	13	13	22	165	4	30	7.4
90/132-2	340	290	40	32	140	150	95	27	29	62	90	13	13	22	165	4	30	6.3

Mono-Plate Motor Slide Base (MPB)

Designed for the larger frame sizes, this MSB covers the frame sizes from 90 to 280 (90KW)

* Note : 250 & 280 sizes have 2 lead screws x 22mm A/F

Dimension and Adjustments

Model MPB-	A	B	C	Ch	E	E1	E2	E3	G	H	L	M	N	O	P	R	Kg
90/112	307	213	33	19	255	190	160	140	28	50	50	10	26	162	108	30	4
100/132-2	340	290	40	22	286	216	190	160	28	63	47	12	38	215	165	30	8
100/132	430	290	40	22	286	216	190	160	28	63	47	12	38	215	165	30	9
160/160-2	430	370	40	22	380	279	254		30	62	62	12	42	287	248	30	12
160/180	490	370	40	22	380	279	254		30	62	62	12	42	287	248	30	13
180/200	490	410	40	22	418	318	279		30	60	52	17	41	389	285	30	15
200/225	585	450	50	22	468	356	318		30	60	52	17	49	352	300	30	24
250*	600	470	65	22	515	406			30	60	70	22	51	369	320	30	28
280*	735	570	65	22	585	457			30	70	70	22	55	460	420	30	38

All dimensions are in mm unless otherwise specified, In view of our constant endeavor to improve the quality of our products, we reserve the right to alter or change specifications without prior notice.