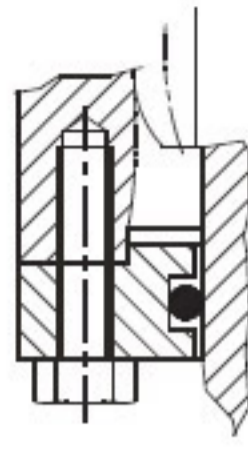
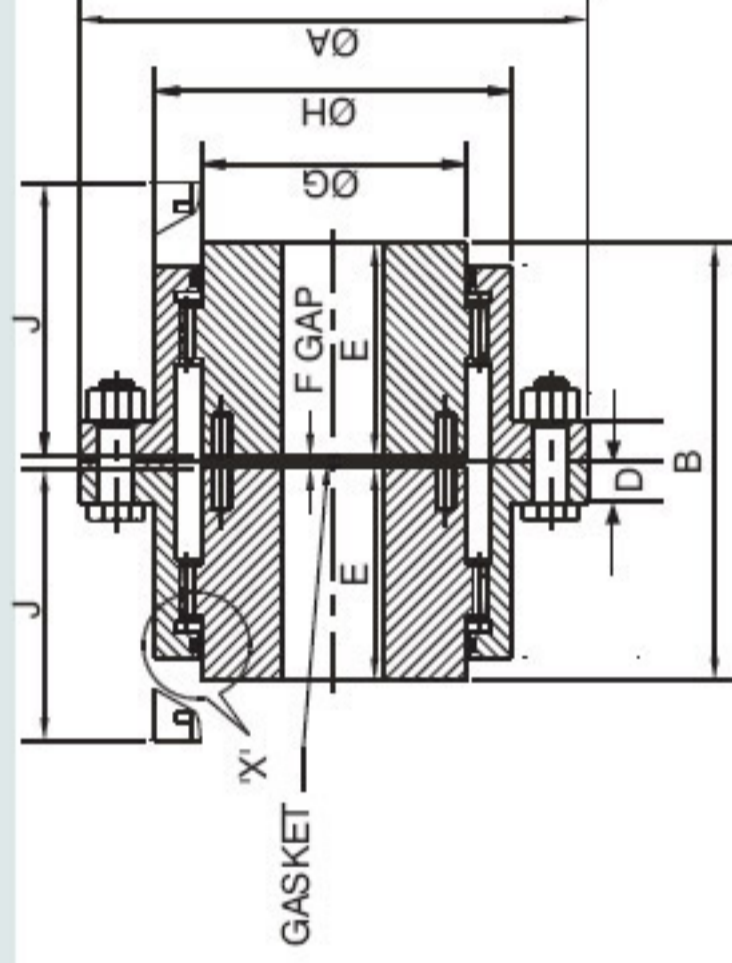
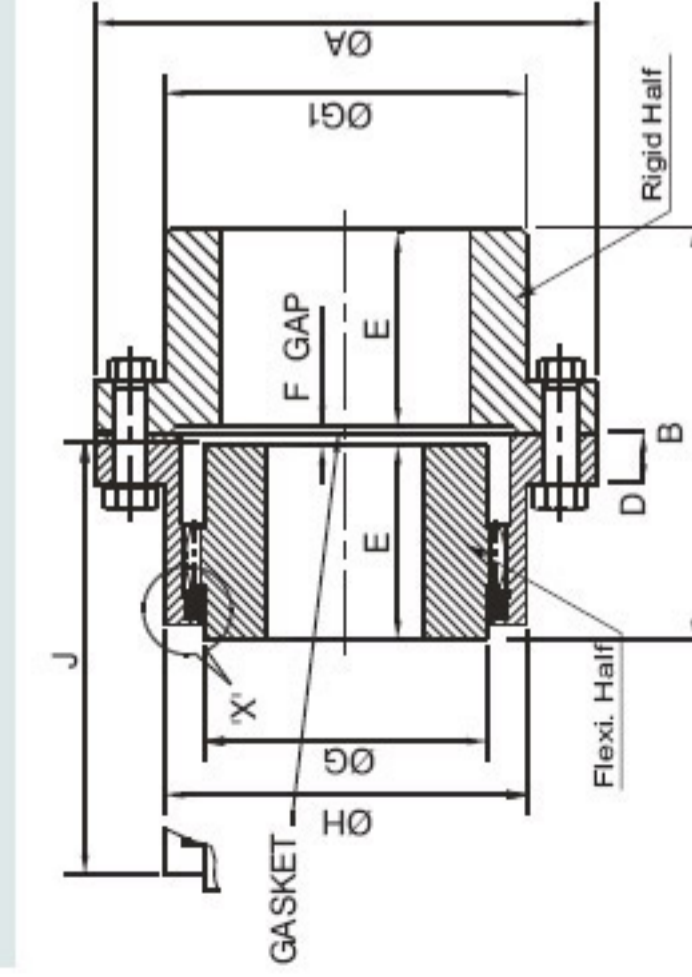


GEAR COUPLING CURVED TOOTH



6C... Gear Coupling Curved Tooth



THIS COVERPLATE CONSTRUCTION FOR MODEL - 10 ONWARDS.

Model No.	Power at 100 rpm in KW	Maximum Torque in Nm	Hub Bore (mm)		Max. RPM	Max. Speed	Dimensions MM										Approx. Weight in Kgs.		Approx. GD&2 Value Kg m ²		Clamping Bolt size	No. of Bolts	Max. Misalignment MM		Amount Grs / Oil Kg.	Ltr
			FLEX Min	RIGID Max.			A	B	D	E	F	G	G1	H	J	FULL FLEX	HALF FLEX	FULL FLEX	HALF FLEX	Parallel			Axial float	Ang. per Gear mesh		
05	5.24	500	10	35	45	7500	120	93	15	45	3	50	75	75	65	4.2	3.8	0.01	0.01	M16 X 45	6	0.75	0.25	0.2		
1	11.5	1100	14	55	60	6700	170	115	17	55	5	78	90	110	65	11	10.5	0.11	0.11	M12 X 50	6	0.8	0.3	0.25		
2	28.5	2720	20	60	75	6100	185	145	17	70	5	85	110	125	85	16	15	0.18	0.18	M12 X 50	6	0.95	0.6	0.5		
3	51.5	4920	30	75	90	5200	220	175	20	85	5	107	130	150	105	26	26	0.44	0.44	M16 X 60	6	1.1	1	0.7		
4	96.5	9220	40	100	110	4500	250	215	20	105	5	138	160	178	125	41	42	0.88	0.88	M16 X 60	8	1.3	1.5	1.5		
5	150	14320	46	120	130	3950	290	240	25	115	10	166	185	204	140	63	63	1.90	1.90	M20 X 75	8	1.45	2	2		
6	230	21960	50	125	150	3500	320	260	25	125	10	176	215	230	155	86	87	3.06	3.06	M20 X 75	8	1.55	2.5	2		
7	390	37250	60	145	170	3250	350	290	25	140	10	208	240	260	175	120	120	5.2	5.2	M20 X 75	10	1.8	3	3		
8	515	49180	70	165	200	3000	380	330	25	160	10	230	285	290	200	165	170	8.52	8.52	M20 X 75	12	1.9	4.5	4.5		
9	644	61500	80	200	220	2600	430	340	25	165	10	270	315	332	210	210	220	15.00	15	M24 X 80	10	2.25	6	6		
10	930	88800	100	230	260	2300	490	370	25	180	10	315	370	390	230	310	320	28.67	29	M24 X 80	12	2.6	8	8		
11	1265	120800	110	260	280	2100	545	410	30	200	10	350	380	445	270	454	430	46.18	46.18	M24 X 90	12	3.3	10	9.5		
12	1600	152800	150	300	310	1900	590	490	30	240	10	404	420	490	300	630	590	76.57	76.57	M24 X 90	14	3.5	11	16.5		
13	2880	275000	160	330	340	1550	680	535	35	260	15	442	480	555	320	887	850	140	140	M30 X 110	14	6.65	14	19		
14	3980	380000	200	370	370	1400	730	575	35	280	15	500	520	610	340	1097	1050	203	203	M30 X 110	16	7.35	18	23		
15	4765	455000	230	410	400	1350	780	655	35	320	15	540	560	660	385	1440	1350	305	305	M36 X 110	18	8.15	25	33		
16	6800	650000	260	450	460	1150	900	720	45	350	25	630	650	750	425	2120	2000	611.2	611.2	M36 X 130	18	8.55	40	49		
17	9000	850000	300	520	530	1050	1000	820	45	400	20	720	750	855	490	3100	2900	1132	1132	M36 X 130	20	9.15	55	64		
18	11800	1120000	320	620	580	950	1100	920	55	450	20	820	820	950	535	4370	4050	1913	1913	M36 X 160	20	9.65	60	72		
19	15500	1470000	400	710	700	825	1250	1000	55	485	30	915	920	1050	560	5590	5200	3588.00	3179	M48 X 160	20	10.25	70	80		

All dimensions are in mm unless otherwise specified. In view of our constant endeavor to improve the quality of our products, we reserve the right to alter or change specifications without prior notice.