

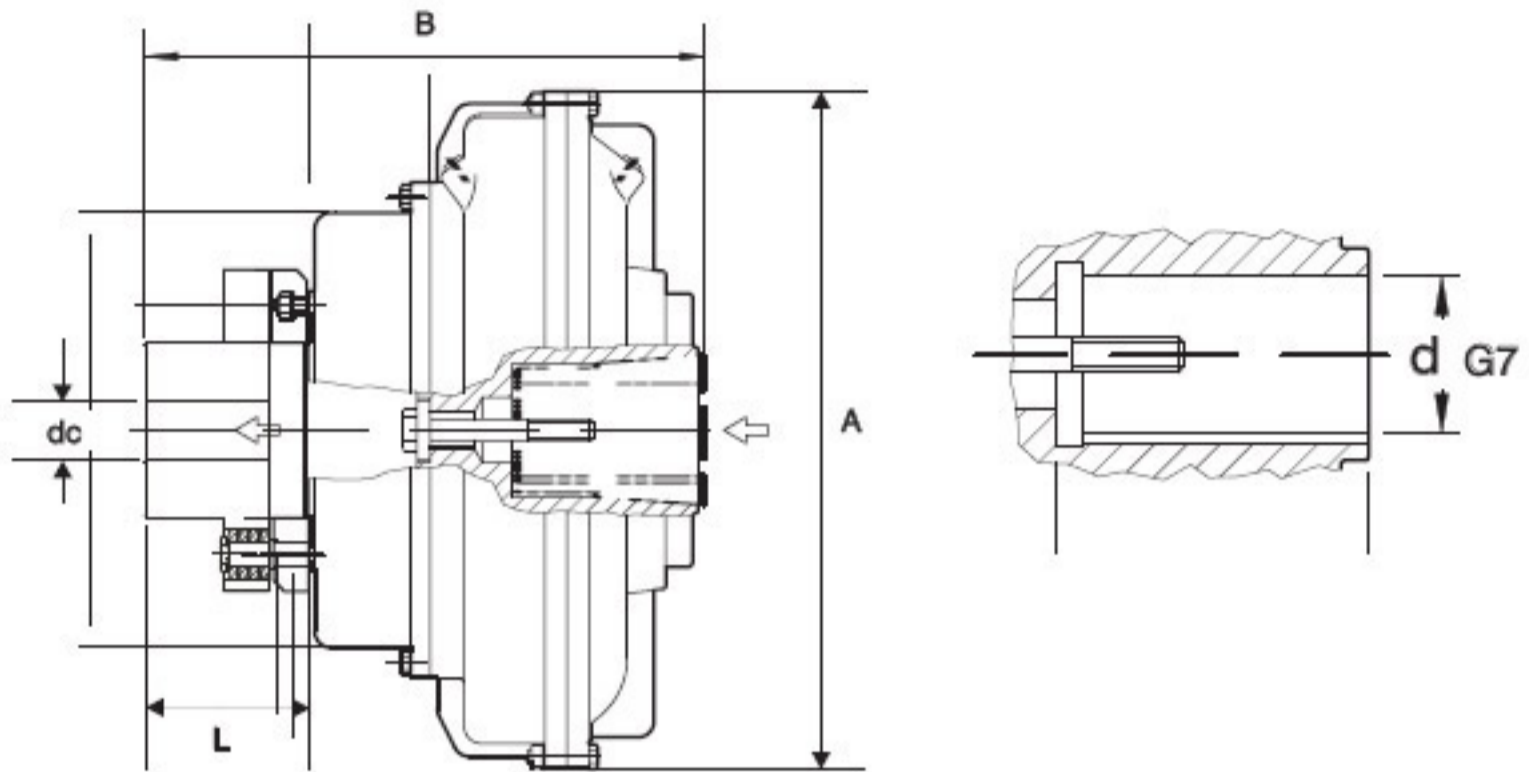
FLUID COUPLING



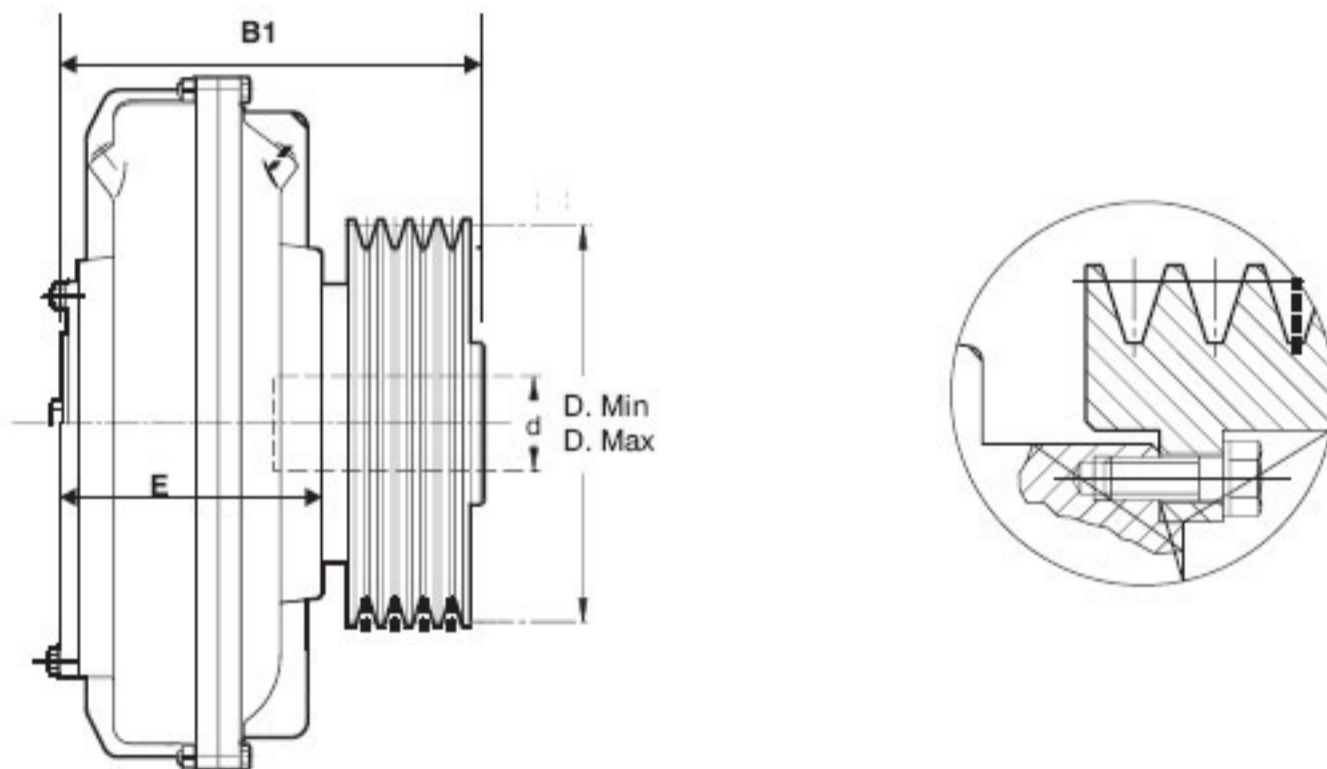
17C

17C... Fluid Coupling

Type 'A'



Type 'B'



Model	Power (Kw)			A	B	L	dC Max.	B ₁	E	d Min.	D Max.	D Max.
	960	1440	2880									
1	-	0.75	3.73	210	116	35	26	73	--	100	--	35
2	0.22	1.49	7.46	210	151	45	32	134	92	70	140	38
3	1.12	2.24	11.19	245	177	50	38	168	112	90	180	42
4	1.87	5.60	18.65	277	203	60	48	191	125	90	180	42
5	3.73	11.19	29.84	322	225	65	60	224	138	110	220	55
6	7.46	18.65	44.76	373	255	70	65	263	160	125	250	60
7	14.92	37.30	74.60	418	282	80	70	318	176	140	250	65
8	26.11	55.95		473	310	90	80	355	194	180	280	75
85	37.30	969.80		490	340	110	90	390	240	200	320	80
9	55.95	149.20		560	400	130	100	460	280	250	400	90
10	89.52	223.80		640	440	150	110	--	--	--	--	100
105	149.20	373.00		710	480	180	120	---	--	--	--	110
11	223.80	559.50		800	520	210	150	--	--	--	--	120

All dimensions are in mm unless otherwise specified, In view of our constant endeavor to improve the quality of our products, we reserve the right to alter or change specifications without prior notice.