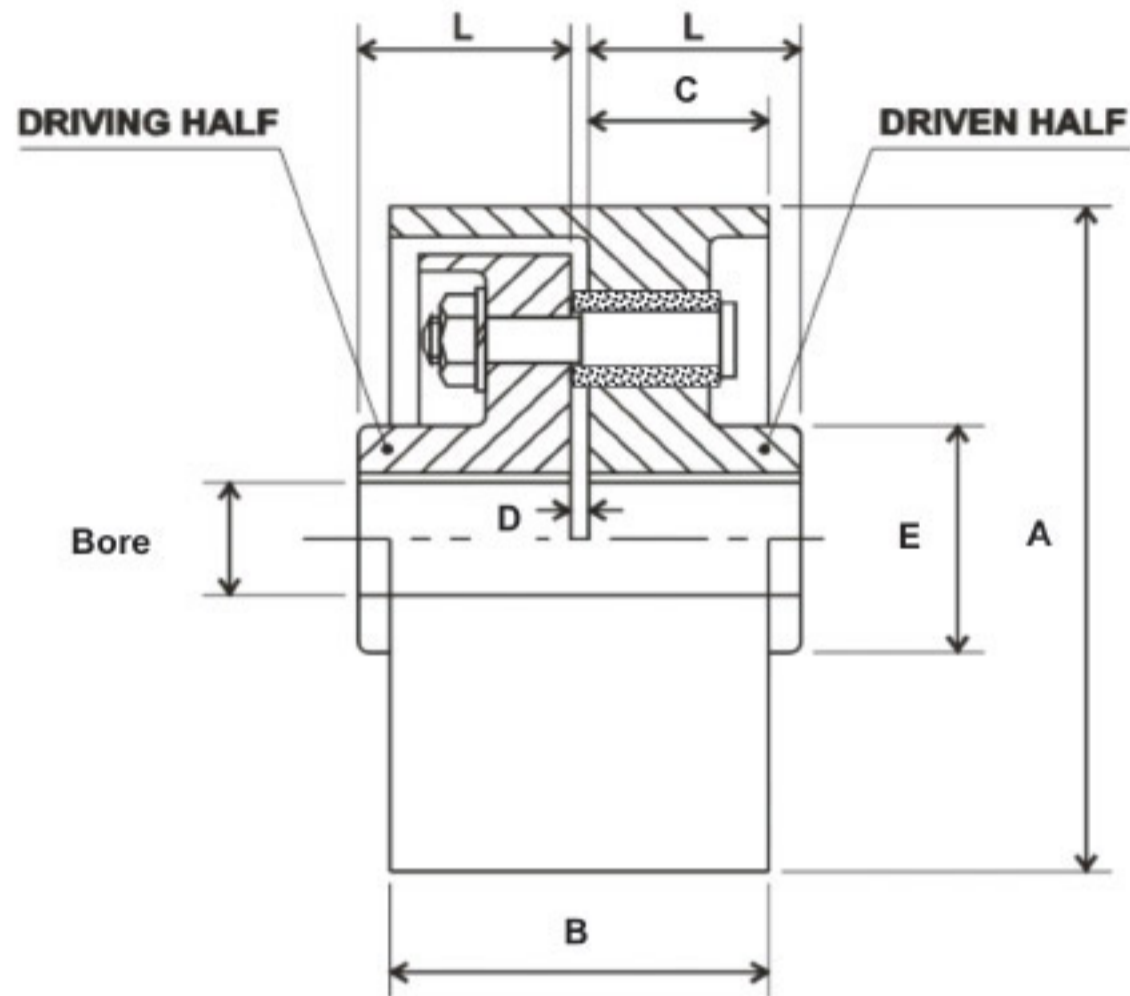


BRAKE DRUM COUPLING



10C

10C... Brake Drum Coupling



DIMENSIONS

Model	Torque (Nm)	Max. Bore	Max. Speed	A	B	C	D	E	L
BBD 1 105 X 70	77	28	4500	105	70	35	3	40	38
BBD 2 150 X 85	310	30	3500	150	85	43	3	42	48
BBD 2A 150 X 85	516	42	3500	150	85	43	3	60	51
BBD 3 200 X 105	621	48	2800	200	105	53	5	68	51
BBD 4 250 X 115	831	65	2200	250	115	58	5	90	60
BBD 5 250 X 125	1662	75	2200	250	125	63	5	105	76
BBD 5 300 X 125	1662	75	1800	300	125	63	5	105	76
BBD 5 300 X 140	1662	75	1800	300	140	70	5	105	76
BBD 6 300 X 150	2359	95	1800	300	150	75	5	135	89
BBD 6A 300 X 150	2392	95	1800	300	150	75	5	135	89
BBD 6B 300 X 150	3533	95	1800	300	150	75	5	135	89
BBD 7 330 X 150	4154	115	1600	330	150	75	5	170	115
BBD 7A 350 X 200	5195	120	1600	350	200	100	5	180	115
BBD 8 350 X 200	5816	130	1600	350	200	100	5	195	125
BBD 8A 380 X 200	7266	135	1440	380	200	100	5	200	130
BBD 8B 410 X 250	8723	140	1200	410	250	125	5	210	135