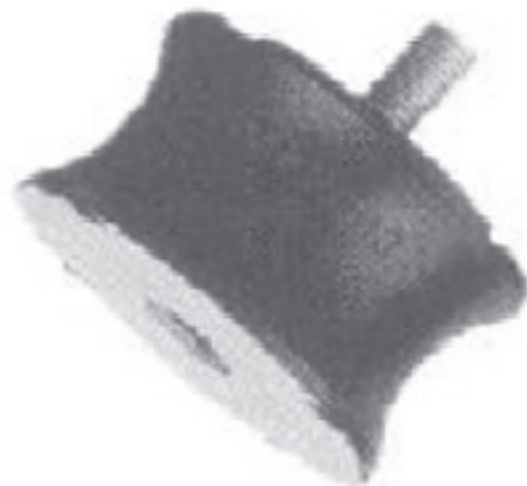
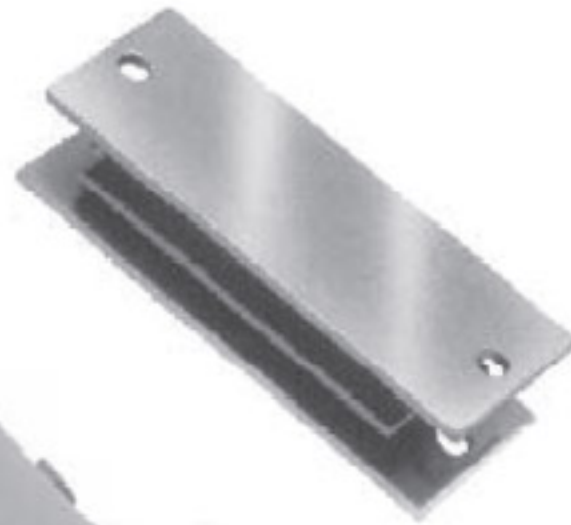


ANTIVIBRATION MOUNTING



AV

AV... How To Select The Correct Mount

Selection of the correct mount to suit any application can be quite frustrating. That's why the vast range of JMR AVM gives you such a wide choice.

We offer many types and models of mounts to help solve most vibration isolation requirements.

Our application engineers are also available for advice and assistance in testing / trialing products.

A quick & simple way to select the correct mount is given below:

1. Divide total weight of equipment by number of mounting points. Resulting figure will indicate load per mounting
2. Determine lowest disturbing frequency (i.e. The lowest rpm of equipment which causes vibration)
3. From the 'Isolation Table' shown alongside, find out the required deflection for your desired isolation level (we recommend 80%)
4. With this data of 'Load per mount' and required deflection, select suitable mount from this catalogue
5. Please contact our Engineering Department for additional details.

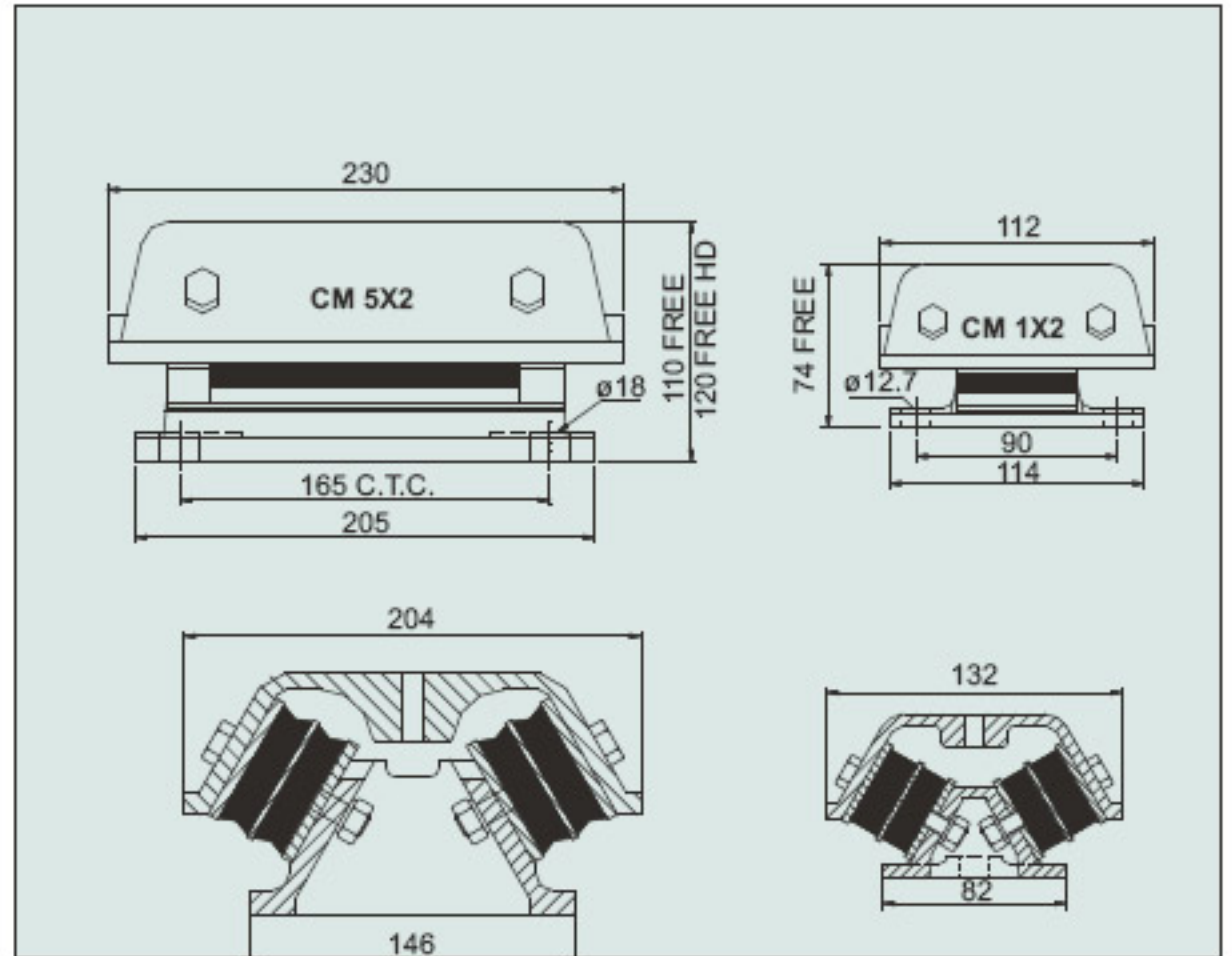
Isolation Table

Disturbing Frequency RPM	Deflection in (mm) for		
	50% Isolation	70% Isolation	80% Isolation
300	30.00	43.34	59.97
400	16.90	24.43	33.82
500	10.81	15.60	21.61
600	7.50	10.83	15.00
700	5.52	7.97	11.02
800	4.22	6.10	8.44
900	3.33	4.81	6.66
1000	2.70	3.90	5.40
1050	2.45	3.54	4.90
1100	2.23	3.22	4.46
1150	2.04	2.95	4.08
1200	1.87	2.70	3.74
1250	1.73	2.50	3.46
1300	1.60	2.30	3.19
1350	1.48	2.14	2.96
1400	1.37	1.99	2.75
1450	1.28	1.86	2.57
1500	1.19	1.73	2.40
1550	1.12	1.62	2.24
1600	1.05	1.52	2.10
1650	0.99	1.43	1.98
1700	0.93	1.34	1.86
1750	0.88	1.27	1.76
1800	0.83	1.20	1.66
1850	0.79	1.14	1.57
1900	0.74	1.08	1.49
1950	0.71	1.02	1.42
2000	0.67	0.97	1.34
2200	0.55	0.80	1.11
2400	0.46	0.67	0.93
2600	0.40	0.57	0.80
2800	0.34	0.49	0.68
3000	0.30	0.43	0.60

STIFFNESS IDENTIFICATION METHOD

	INCREASING STIFFNESS				
Designation	A	B	C	D	E
Colour Code	Blue	White	Green	Yellow	Red

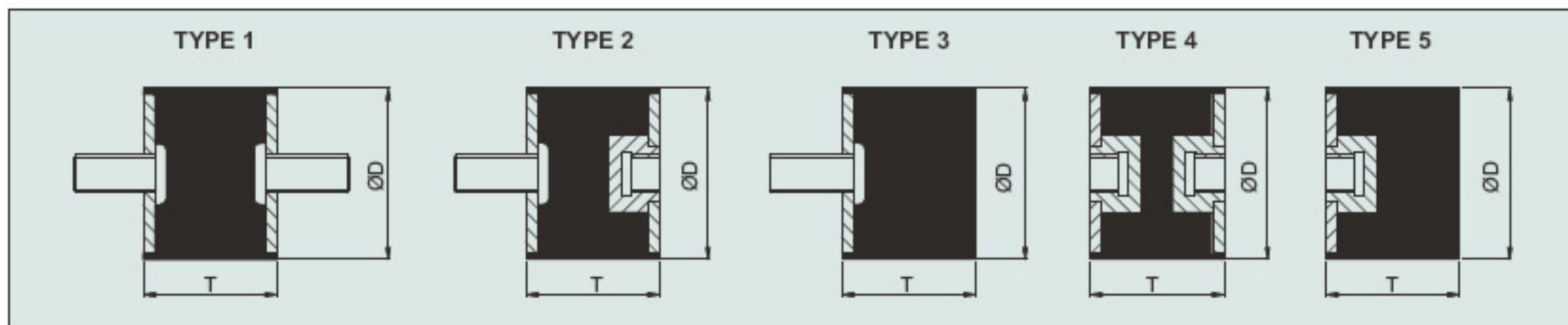
1AV... CM Type Combi Mount



ALL DIMENSIONS IN mm.

MODEL NO.	COLOUR CODE	MAX. LOAD CAPACITY (kg)	DEFLECTION (mm)	TOP FIXING HOLE	
				PLAIN	TAPED
CM1 x 2A	BLUE	77	5.6	10	M12
CM1 x 2B	WHITE	118	5.8		
CM1 x 2C	GREEN	153	6.1		
CM1 x 2D	YELLOW	235	5.8		
CM1 x 2E	RED	317	5.3		
CM5 x 2A	BLUE	272	6.3	13	M16
CM5 x 2B	WHITE	544	5.6		
CM5 x 2C	GREEN	850	5.6		
CM5 x 2D	YELLOW	1040	5.6		
CM5 x 2E	RED	1580	5.6		
CM - HD A	BLUE	630	16	13	M16
CM - HD B	WHITE	990	16		
CM - HD C	GREEN	1280	16		

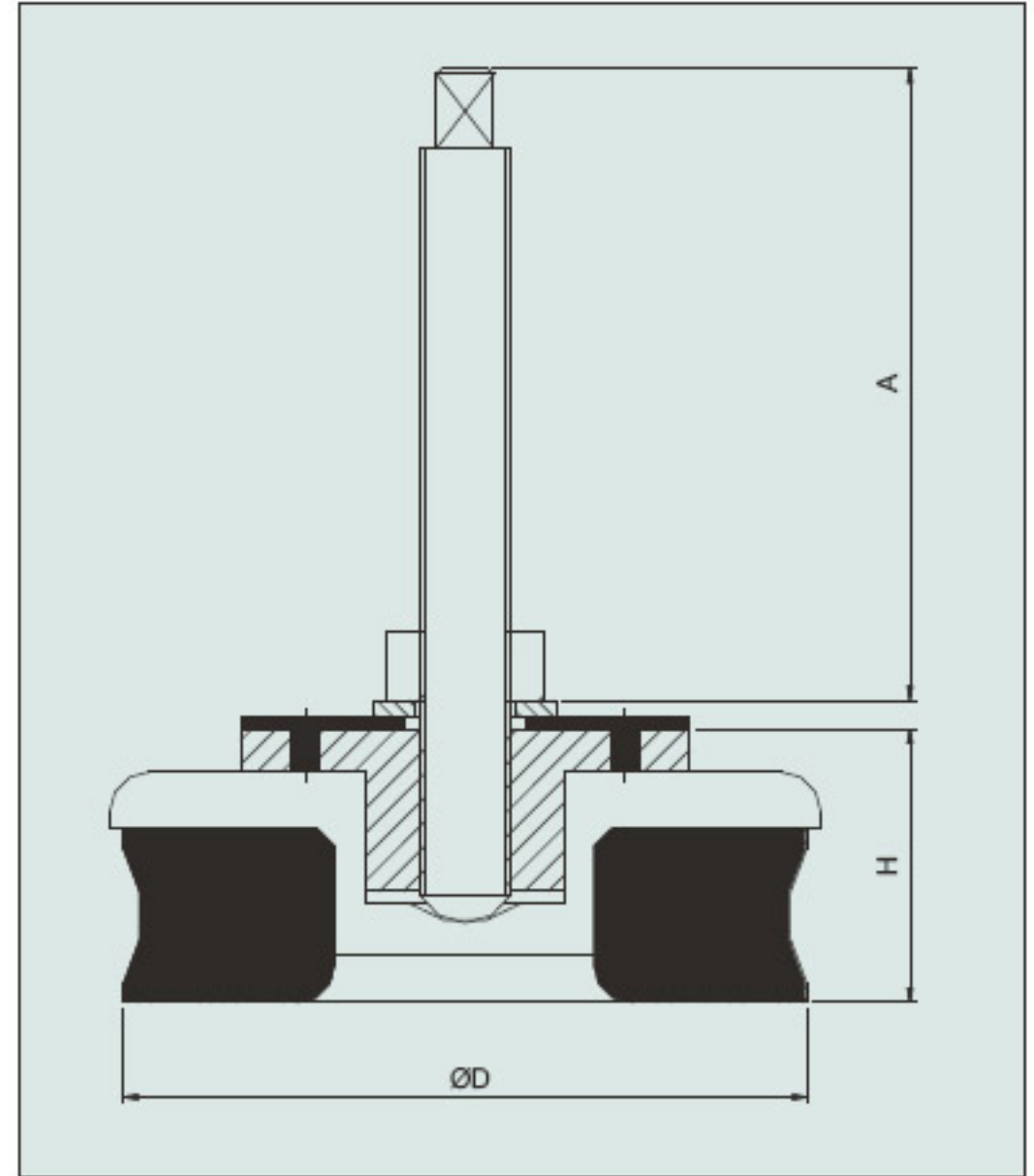
6AV... O Type Mount



MODEL / PART No. (DXT) (mm)		MAX COMPRESSIVE LOAD (kg)	STATIC DEFL (mm)	THREAD SIZE	
				BOLT	NUT
O 13 x 13	A	4.5	1.0	3/16" BSW x 13L	3/16" BSW x 4 DEEP
O 16 x 13	A	4.3	1.0	1/4" BSW x 19L	1/4" BSW x 4 DEEP
O 16 x 15	A	5.6	1.0	M5 x 0.8P x 12L	M5 x 0.8P x 5 DEEP
O 19 x 19	A	18	3.0	1/4" BSW x 19L	1/4" BSW x 6 DEEP
	B	25	3.0		
	C	35	3.0		
O 20 x 20	C	29	4.0	M6 x 1P x 17L	M6 x 1P x 6 DEEP
O 20 x 25	A	6.0	3.0	M6 x 1P x 17L	M6 x 1P x 6 DEEP
	B	8.0	3.0		
	C	11	3.0		
	D	18	4.0		
	E	21	3.0		
O 25 x 19	A	16	1.5	5/16" BSW x 22L	5/16" BSW x 6 DEEP
	B	22	1.5		
	C	29	1.5		
	D	42	1.5		
O 25 x 20	A	30	3.5	M6 x 1P x 13L	M6 x 1P x 6 DEEP
	B	45	3.5		
	C	60	3.5		
O 25 x 22	A	50	3.5	M8 x 1.25P x 20L	M8 x 1.25P x 6 DEEP
O 25 x 30	A	37	3.0	M8 x 1.25P x 20L	M8 x 1.25P x 6 DEEP
	B	52	3.0		
	C	73	3.0		
O 30 x 22	A	64	3.5	M8 x 1.25P x 25L	M8 x 1.25P x 6 DEEP
O 30 x 30	A	22	3.0	M8 x 1.25P x 21L	M8 x 1.25P x 6 DEEP
O 35 x 22	A	64	3.0	3/8" BSW x 38L	3/8" BSW x 6 DEEP
O 35 x 25	A	16	1.5	3/8" BSW x 38L	3/8" BSW x 6 DEEP
	B	21	1.5		
	C	40	1.5		
	D	65	1.5		
O 38 x 25	A	70	4.0	M8 x 1.25P x 17L	M8 x 1.25P x 6 DEEP
	B	110	4.0		
	C	175	4.0		
O 38 x 38	A	50	6.0	M8 x 1.25P x 17L	M8 x 1.25P x 10 DEEP
	B	67	6.0		
	C	85	6.0		
O 40 x 28	B	146	4.5	M10 x 1.5P x 25L	M10 x 1.5P x 6 DEEP
O 40 x 30	B	60	5.0	M8 x 1.25P x 25L	M8 x 1.25P x 6 DEEP
O 40 x 40	A	43	6.0	M10 x 1.5P x 38L	M10 x 1.5P x 10 DEEP
	B	59	6.0		
	C	82	6.0		

MODEL / PART No. (DXT) (mm)		MAX COMPRESSIVE LOAD (kg)	STATIC DEFL (mm)	THREAD SIZE	
				BOLT	NUT
O 50 x 19 B3		75	4.0	M10 x 25	-
O 50 x 40	A	65	5.0	M10 x 1.5P x 22L	M10 x 1.5P x 12 DEEP
	B	110	5.0		
	C	150	5.0		
O 50 x 45	A	106	7.0	M10 x 1.5P x 25L	M10 x 1.5P x 12 DEEP
O 50 x 50	A	76	7.0	M10 x 1.5P x 22L	M10 x 1.5P x 12 DEEP
	B	100	7.0		
	C	120	7.0		
O 55 x 38	A	58	3.0	3/8" BSW x 34L	3/8" BSW x 10 DEEP
	B	84	3.0		
	C	117	3.0		
O 60 x 45	A	214	8.0	M10 x 1.5P x 19L	M10 x 1.5P x 10 DEEP
	B	311	8.0		
	C	453	8.0		
O 60 x 50	A	110	6.5	M12 x 1.75P x 27L	M12 x 1.75P x 15 DEEP
	B	145	6.5		
	C	185	6.5		
O 60 x 60	A	110	8.0	M12 x 1.75P x 27L	M12 x 1.75P x 15 DEEP
	B	150	8.0		
	C	200	8.0		
O 63 x 36	A	115	5.0	1/2" BSW x 33L	1/2" BSW x 10 DEEP
O 75 x 25 B3		100	3.0	M12 x 47	-
O 75 x 55	A	158	6.0	M12 x 1.75P x 37L	M12 x 1.75P x 15 DEEP
	B	180	6.0		
	C	290	6.0		
O 80 x 60	A	300	8.0	M12 x 1.75P x 30L	M12 x 1.75P x 20 DEEP
	B	400	8.0		
	C	520	8.0		
O 80 x 75	A	205	10	M12 x 1.75P x 30L	M12 x 1.75P x 20 DEEP
	B	310	10		
	C	420	10		
O 100 x 55	A	320	6.0	M16 x 2P x 43L	M16 x 2P x 20 DEEP
O 100 x 75	A	280	10	M12 x 1.75P x 30L	M12 x 1.75P x 20 DEEP
	B	390	10		
	C	520	10		
O 100 x 90	A	285	12	M12 x 1.75P x 30L	M12 x 1.75P x 20 DEEP
	B	400	12		
	C	540	12		
O 115 x 100	A	380	10	M14 x 2P x 35L	M14 x 2P x 35 DEEP
	B	540	10		
	C	720	10		

5AV... MM Type Machine Mount

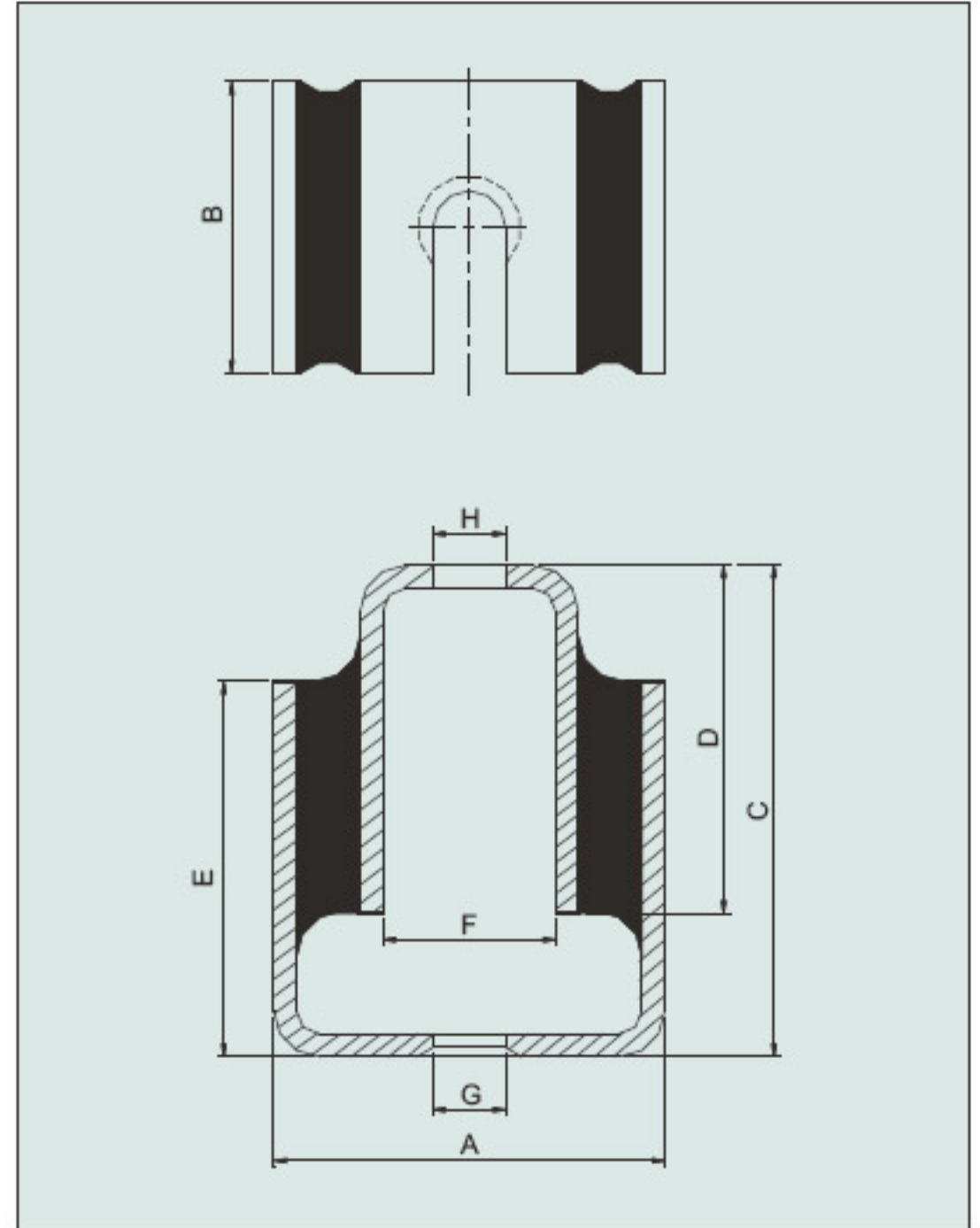


DIMENSIONS (mm)	MACHINE MOUNT MODEL			
	MM - 1	MM - 2	MM - 3	MM - 4
A	75 (M12 x 1.25 P)	120 (M16 x 1.5 P)	115 (M16 x 1.5 P)	100 (M20 x 1.5 P)
	125 (M16 x 1.5 P)	135 (M20 x 1.5 P)	130 (M20 x 1.5 P)	140 (M24 x 2 P)
ØD	80	120	160	200
H	43 - 55	48 - 60	57 - 70	65 - 80

APPLICATIONS		LOADING IN KG.			
		MM - 1	MM - 2	MM - 3	MM - 4
MAX STATIC LOAD		600	1800	3000	5000
MACHINE TOOLS		400	1100	2100	3500
GRINDING M/C (ROTATING)		3500	900	1500	2500
GRINDING M/C (RECIPROCATING)		200	450	750	1300
LATHE		200	450	750	1300
MILLING M/C		200	450	750	1300
POWER PRESSES (STROKES / MIN)	200	120	250	700	1200
	160	140	300	900	1500
	125 AND LESS	200	430	1250	2200

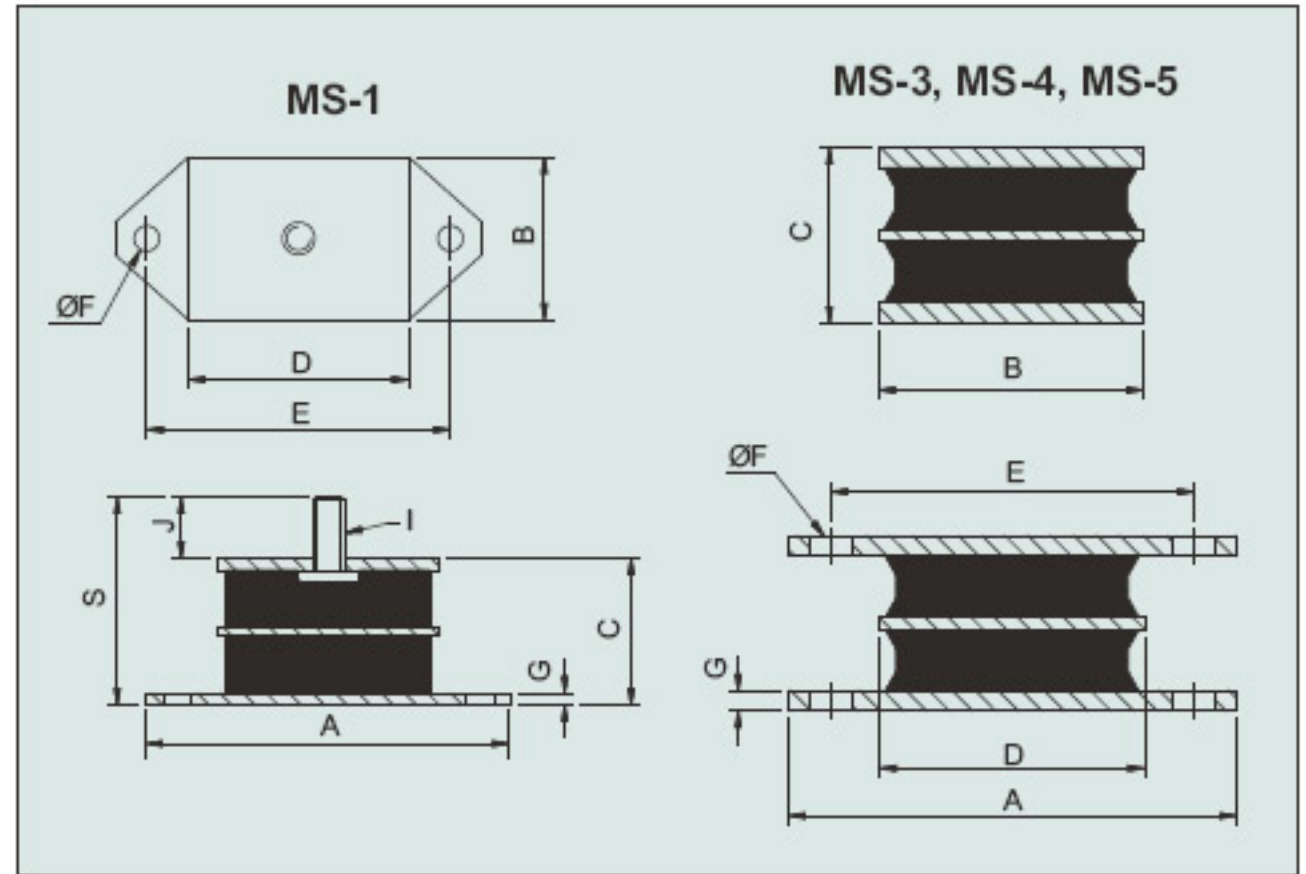
All dimensions are in mm unless otherwise specified, In view of our constant endeavor to improve the quality of our products, we reserve the right to alter or change specifications without prior notice.

4AV... U Type Double Shear Mount



MODEL NO	DIMENSIONS (mm)								MAX. LOAD IN COMP. (kg)	DEFL (mm)
	A	B	C	D	E	F	G	H		
MU-1A	60	50	42	19	30	17	Ø 10 Holes		19	3
MU-1B									28	3
MU-1C									52	3
MU-2A	70	25	62	37	43	25	10 SLOT		17	8
MU-2B									25	7
MU-2C									28	4.5
MU-3A	80	50	78	50	55	30	13 SLOT		72	8
MU-3B									92	7
MU-3C									95	4.5
MU-4A	86	64	108	76	82	38	16 SLOT		152	8
MU-4B									170	6
MU-4C									205	4

3AV... MS Type Sandwich Mount



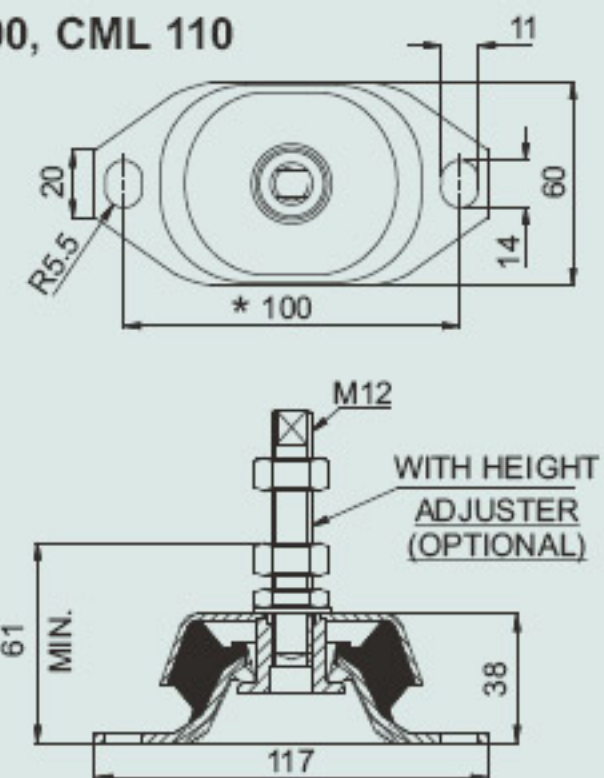
MODEL NO.	DIMENSIONS (mm)										MAX. LOAD IN COMPRESSION (kg)	STATIC DEFL (mm)	
	A	B	C	D	E	OF	G	S	I	J			
MS - 1A												95	2.8
MS - 1B												135	2.8
MS - 1C	90	40	36	54	74.5	6.75	3.5	51	M8	15	200	2.8	
MS - 1D											310	2.8	
MS - 1E											350	2.4	

MODEL NO.	DIMENSIONS (mm)							MAX. LOAD IN COMPRESSION (kg)	STATIC DEFL (mm)
	A	B	C	D	E	ØF	G		
MS - 3A								140	3.0
MS - 3B	110	60	43	65	89	10.3	5.0	240	3.0
MS - 3C								375	3.0
MS - 4A								260	3.0
MS - 4B	130	60	43	85	108	10.3	5.0	400	3.0
MS - 4C								600	3.0
MS - 5A								400	3.0
MS - 5B								610	3.0
MS - 5C	170	60	43	125	146	10.3	5.0	850	2.8
MS - 5D								1000	2.2
MS - 5D								1900	2.0

2AV... CML Type Combi Mount Light



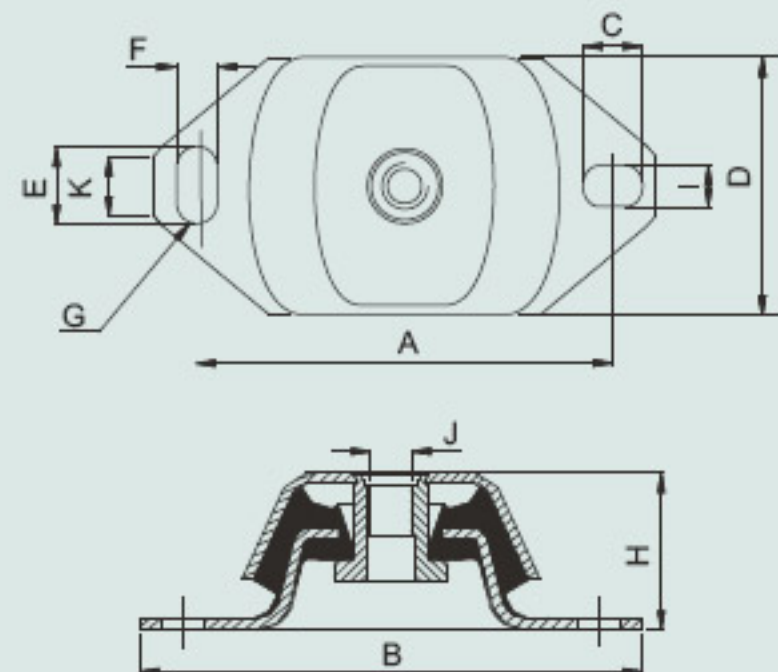
CML 100, CML 110



* CML 110 = Bolt Holes Centres = 110mm, Bolt Size = 10mm

MODEL NO.		LOAD (kg)	DEFLECTION (mm)
CML 100 CML 110	A	50	4
	B	70	
	C	100	
CML 140	A	135	5
	B	200	
	C	300	
CML 182	A	355	5
	B	530	
	C	800	
	D	1000	

CML 40, CML 182



ALL DIMENSIONS IN mm.

MODEL NO.	DIMENSIONS (mm)										
	A	B	C	D	E	F	G	H	I	J	K
CML 140	140	178	20	76	30	13	6.5	49	13	M16	25
CML 182	182	220	26	112	34	18	9.0	70	18	M20	28

All dimensions are in mm unless otherwise specified, In view of our constant endeavor to improve the quality of our products, we reserve the right to alter or change specifications without prior notice.