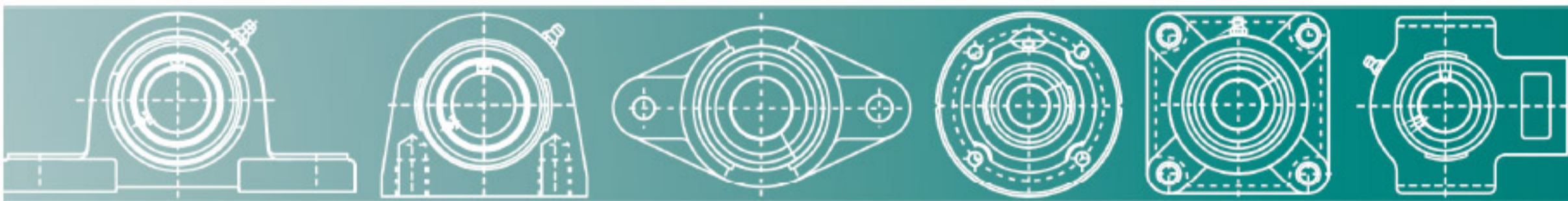


# Thrust Bearing



**Make** a triple sealed bearing unit  
**it a**  
**triple,**

Better seal protection provides longer life, resulting in **less down time & higher profits.**

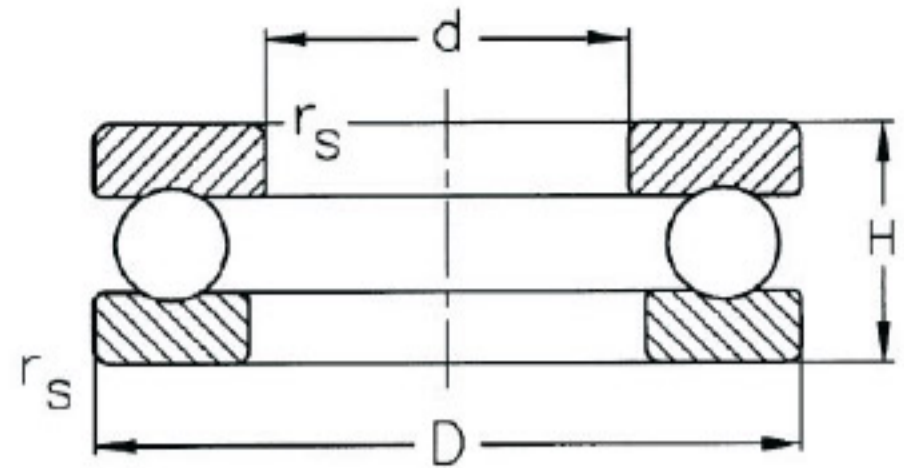
Ideal for use in both industrial and agricultural applications.

Product quality and reliability  
Superior Service  
Manufacturers price  
More than just your profit



TECHNICAL SUPPORT : [sales@yash-impex.com](mailto:sales@yash-impex.com)

# Thrust Bearing



Wymiary główne Dimensions				Oznaczenie łożyska Bearing designation	Odmiana Constructional series		Nośność Load rating		Obroty graniczne Limiting speeds		Masa Mass
d	D	H	r <sub>s min</sub>			M	dynam. dynamic	statycz. static	w smarze grease	w oleju oil	
mm						daN		obr./min.		kg	
30	60	21	1	51306	✧		3780	6800	3000	4000	0.263
35	62	18	1	51207	✧		3530	6700	3800	5000	0.22
40	60	13	0.6	51108	✧		2320	5050	3800	5000	0.12
	68	19	1	51208	✧		4000	8000	3800	5000	0.27
	78	26	1	51308	✧		5750	10900	2000	3000	0.55
45	65	14	0.6	51109	✧		2440	5650	3800	5000	0.15
	73	20	1	51209	✧		3890	8000	3000	4000	0.32
	85	28	1	51309	✧		7150	13800	1800	2600	0.69
50	70	14	0.6	51110	✧		2550	6300	3400	4500	0.16
	78	22	1	51210	✧		4180	9250	3000	4000	0.39
	78	22	1	51210		✧	4540	10500	3000	4000	0.39
	95	31	1.1	51310	✧		8650	17100	1800	2600	1
55	78	16	0.6	51111	✧		3080	7750	3000	4000	0.24
	90	25	1	51211	✧		6350	13900	2000	3000	0.61
	105	35	1.1	51311	✧		11300	22600	1600	2200	1.34
60	85	17	1	51112	✧		3670	9400	2600	3600	0.29
	95	26	1	51212	✧		6250	13900	2000	3000	0.69
	110	35	1.1	51312	✧		11700	24600	1600	2200	1.43
65	90	18	1	51113	✧		3710	9850	2400	3200	0.34
	100	27	1	51213	✧		6400	14900	1800	2600	0.77
70	95	18	1	51114	✧		3760	10300	2400	3200	0.36
	105	27	1	51214	✧		6550	15900	1800	2600	0.81
	105	27	1	51214		✧	7100	17900	1800	2600	0.81
75	100	19	1	51115	✧		4430	12300	2200	3200	0.42
	110	27	1	51215			6700	16900	1800	2600	0.86
80	105	19	1	51116	✧		4490	12900	2000	3000	0.43
	105	19	1	51116		✧	4750	14000	2000	3000	0.43
	115	28	1	51216	✧		6850	17900	1700	2400	0.95
85	110	19	1	51117	✧		4550	13400	2000	3000	0.46
	125	31	1	51217	✧		9300	23800	1600	2200	1.29
90	120	22	1	51118	✧		5800	16700	1800	2600	0.68
	120	22	1	51118		✧	6300	19000	1800	2600	0.68
100	135	25	1	51120	✧		7450	21900	1700	2400	0.99
	135	25	1	51120		✧	7850	23800	1700	2400	0.99
	150	38	1.1	51220	✧		13800	35800	1300	1800	2.36
	170	55	1.5	51320	✧		21500	51700	850	1200	5.11
	170	55	1.5	51320		✧	17330	44150	850	1200	5.51
	210	85	3	51420			39500	105000	750	1000	15
110	145	25	1	51122	✧		7700	23800	1600	2200	1.08
	160	38	1.1	51222	✧		14100	38000	1200	1700	2.57
	190	63	2	51322		✧	26700	70400	800	1100	7.87
120	210	70	2.1	51324		✧	31100	86900	750	1000	10.9
130	170	30	1	51126		✧	11400	37800	1400	1900	1.87
	190	45	1.5	51226		✧	19900	57800	950	1400	4.19
140	180	31	1	51128		✧	11400	39200	1300	1800	2.07
	200	46	1.5	51228		✧	20200	60900	950	1400	4.88