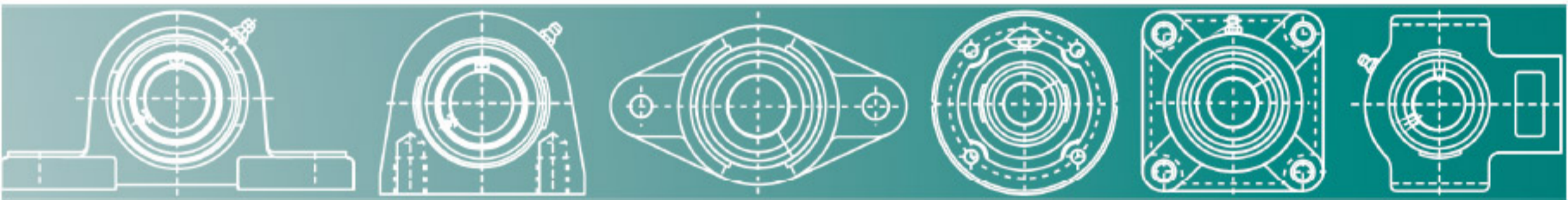


Ball Bearing Self Aligned



Make a triple sealed bearing unit
it a
triple,

Better seal protection provides longer life, resulting in **less down time & higher profits.**

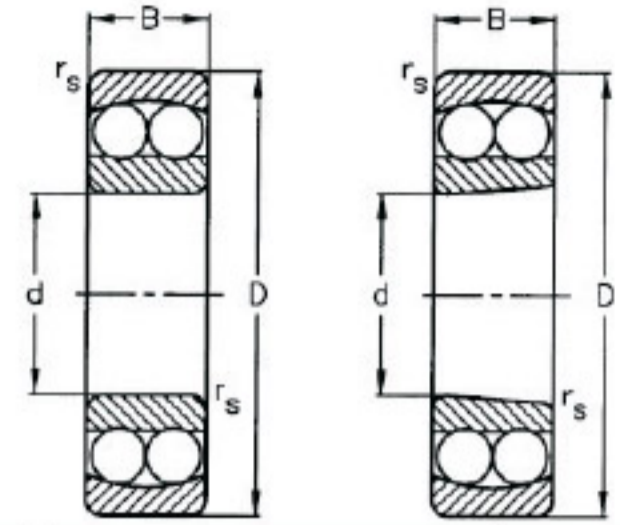
Ideal for use in both industrial and agricultural applications.

Product quality and reliability
Superior Service
Manufacturers price
More than just your profit

 **Yashimpex**

TECHNICAL SUPPORT : sales@yash-impex.com

Ball Bearing Self Aligned



Dimensions				Bearing designation	Constructional series			Load rating		Limiting speeds		Mass kg
d	D	B	r_{smin}		K	M	MB	dynamic	static	grease	oil	
mm								daN		obr./min.		
30	62	16	1	1206	◇	◇		1570	470	10000	13000	0.22
	72	19	1.1	1306	◇	◇		2140	635	9000	11000	0.39
	72	27	1.1	2306	◇	◇		3140	865	8500	10000	0.5
35	72	17	1.1	1207	◇	◇		1580	510	9000	11000	0.32
	72	23	1.1	2207	◇	◇		2160	665	8500	10000	0.4
	80	21	1.5	1307	◇	◇		2510	795	7500	9000	0.52
	80	31	1.5	2307	◇	◇		3940	1110	7000	8500	0.68
40	80	18	1.1	1208	◇	◇		1920	650	8500	10000	0.42
	80	23	1.1	2208	◇	◇		2230	735	7500	9000	0.51
	90	23	1.5	1308	◇	◇		2950	975	6700	8000	0.72
	90	33	1.5	2308	◇	◇		4480	1340	6300	7500	0.93
45	85	19	1.1	1209	◇	◇		2180	740	7500	9000	0.47
	85	23	1.1	2209	◇	◇		2330	815	7000	8500	0.55
	100	25	1.5	1309	◇	◇		3810	1290	6300	7500	0.96
	100	36	1.5	2309	◇	◇	◇	5400	1650	5600	6700	1.25
50	90	20	1.1	1210	◇	◇		2270	810	7000	8500	0.53
	90	23	1.1	2210	◇	◇		2330	845	6300	7500	0.59
	110	27	2	1310	◇	◇		4330	1420	5600	6700	1.2
	110	40	2	2310	◇	◇		6450	2000	5300	6300	1.65
55	100	21	1.5	1211	◇	◇		2670	1000	6300	7500	0.71
	100	25	1.5	2211	◇	◇		2640	995	6000	7000	0.81
	120	29	2	1311	◇	◇		5150	1810	5000	6000	1.6
	120	43	2	2311	◇	◇		7550	2380	4800	5600	2.1
60	110	22	1.5	1212	◇	◇		3020	1160	5600	6700	1.1
	110	28	1.5	2212	◇	◇		3390	1250	5300	6300	1.1
	130	31	2.1	1312	◇	◇		5700	2070	4500	5300	1.95
	130	46	2.1	2312	◇	◇		8700	2790	4500	5300	2.6
65	120	23	1.5	1213	◇	◇		3100	1240	5300	6300	1.15
	120	31	1.5	2213	◇	◇		4350	1630	5000	6000	1.45
	140	33	2.1	1313	◇	◇		6200	2290	4300	5000	2.45
	140	48	2.1	2313	◇	◇		9600	3240	4000	4900	3.25
70	125	24	1.5	1214	◇	◇		3460	1370	5000	6000	1.25
	150	35	2.1	1314	◇	◇		7450	2770	4000	4800	3
75	130	25	1.5	1215	◇	◇		3890	1550	4800	5600	1.35
	160	37	2.1	1315	◇	◇		7900	2990	3900	4500	3.55
80	140	26	2	1216	◇	◇		3980	1690	4500	5300	1.65
	170	39	2.1	1316	◇	◇		8850	3300	3600	4300	4.2
	170	58	2.1	2316			◇	14500	5150	3200	3800	6.1
85	150	28	2	1217	◇	◇		4920	2050	4200	4800	2.05
	150	36	2	2217	◇	◇		5800	2360	3800	4500	2.3
90	190	43	3	1318		◇	◇	11600	4480	2800	3400	5.3
100	180	34	2.1	1220	◇	◇		6900	2950	3400	4000	3.7

K - Bearing with tapered bore (taper 1:12)

MB - Solid brass cage centred on the inner ring

M - Solid brass cage centred on the rolling elements